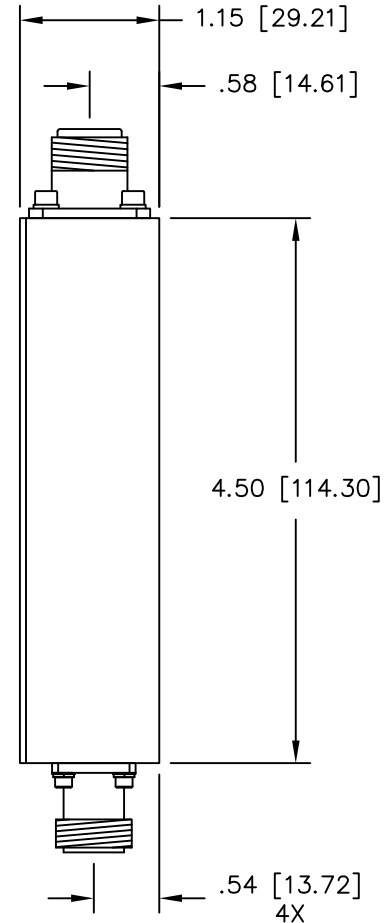
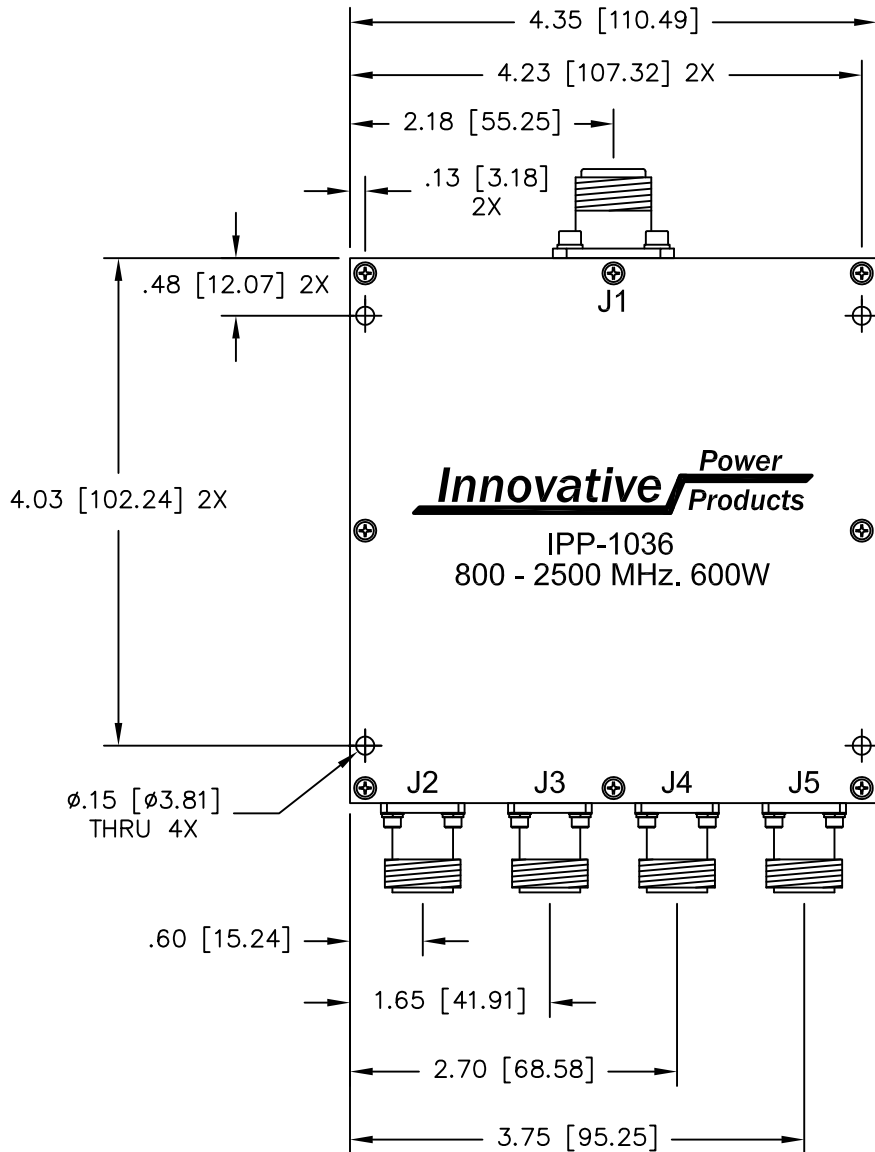


UNAUTHORIZED USE OF THIS
DRAWING IS STRICTLY PROHIBITED

DAR	REV	DESCRIPTION	APPVD	DATE
1653	A	INITIAL RELEASE	DG	12-08



1. CONNECTORS: J1-5: TYPE "N" FEMALE.

ELECTRICAL SPECIFICATIONS

FREQUENCY: 800 - 2500 MHz.
 INSERTION LOSS: < 0.60 dB
 VSWR: < 1.30:1
 PHASE BALANCE: ±5°
 POWER: 600 WATT
 ISOLATION: >10dB
 AMPLITUDE BALANCE: ±0.2 dB
 TEMPERATURE: -55°C TO 85°C

MATERIAL	AL. ALLOY 6061-T651	DWN	DG	DATE	9-08	Innovative Power Products	
FINISH	ELECTRODEPOSITED NICKEL PER QQ-N-290. .0003 MIN. SEMI-BRIGHT	ENG	TJD	DATE	9-08		
TOLERANCE	.XX ±.02 .XXX ±.010 ANG. ±1/2°	MANUF	TP	DATE	9-08		
		CAGE CODE: 437R2				TITLE	OUTLINE 4 - WAY 800 - 2500 MHz 600 WATT
		SHEET	OF	SCALE	1:1	SIZE	P/N IPP-1036
		1	1			REV.	A