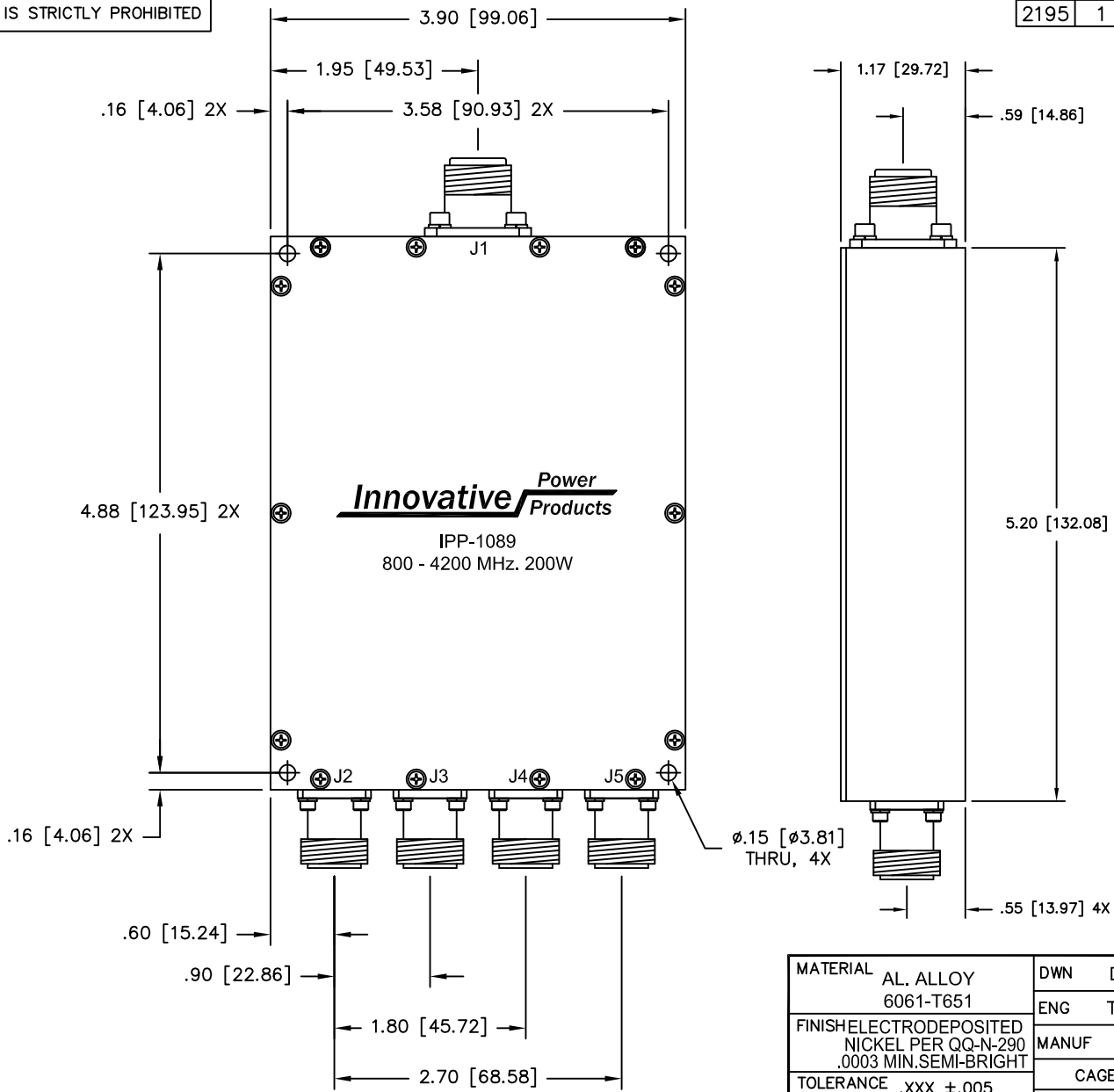


UNAUTHORIZED USE OF THIS
DRAWING IS STRICTLY PROHIBITED

DAR	REV	DESCRIPTION	APPVD	DATE
2195	1	PRE-RELEASE	TJD	12-09



PRELIMINARY
DIMENSIONS AND SPECIFICATIONS
ARE SUBJECT TO CHANGE UNTIL
INITIAL RELEASE OF DRAWING.

NOTES:
1. CONNECTOR TYPE J1-J5: TYPE 'N' FEMALE

ELECTRICAL SPECIFICATIONS
 FREQUENCY: 800 - 4200 MHz.
 INSERTION LOSS: < 1.0 dB
 VSWR: < 1.30:1
 PHASE BALANCE: $\pm 5^\circ$
 AMPLITUDE BALANCE: ± 0.25 dB
 POWER: 200 WATT
 ISOLATION: >10 dB
 OPERATING TEMP: -55°C TO +85°C

MATERIAL AL. ALLOY 6061-T651	DWN DG	DATE 12-11-09	Innovative Power Products		
	ENG TJD	DATE 12-11-09			
FINISH ELECTRODEPOSITED NICKEL PER QQ-N-290 .0003 MIN. SEMI-BRIGHT	MANUF	DATE	TITLE OUTLINE 4-Way, 800-4200 MHz, 200W		
	CAGE CODE: 437R2				
TOLERANCE .XXX $\pm .005$.XX $\pm .02$ ANG. $\pm 1/2^\circ$	SHEET OF 1 1	SCALE 1:1	SIZE B	P/N IPP-1089	REV. 1