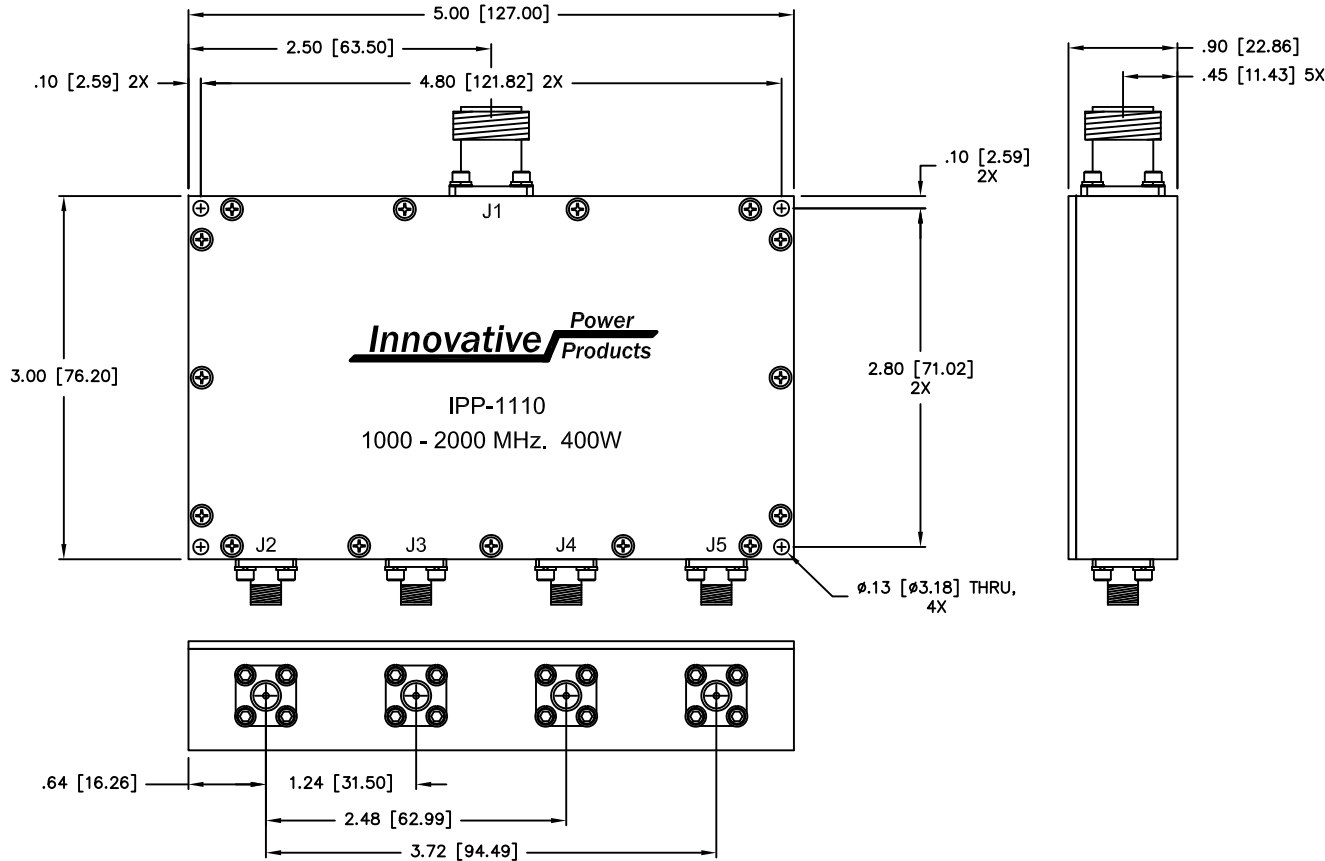


UNAUTHORIZED USE OF THIS  
DRAWING IS STRICTLY PROHIBITED

DAR	REV	DESCRIPTION	APPVD	DATE
2450	1	PRE-RELEASE	DG	7-10
2580	2	SEE DAR	DG	7-10

**PRELIMINARY**  
DIMENSIONS AND SPECIFICATIONS  
ARE SUBJECT TO CHANGE UNTIL  
INITIAL RELEASE OF DRAWING.



**NOTES:**

- CONNECTORS: J1: TYPE 'N' FEMALE  
J2-J5: TYPE "SMA" FEMALE.

**ELECTRICAL SPECIFICATIONS**

- FREQUENCY: 1000 - 2000 MHz.  
 INSERTION LOSS: < 0.6 dB  
 VSWR: < 1.30:1  
 PHASE BALANCE: ±5°  
 POWER: 400 WATT  
 AMPLITUDE BALANCE: ±0.50 dB  
 TEMPERATURE: -55°C TO +85°C  
 ISOLATION: > 13dB

MATERIAL AL. ALLOY 6061-T651	DWN S.Cornell	DATE 4-29-10	<b>Innovative Power Products</b>		
	ENG DG	DATE 7-10			
FINISH ELECTRODEPOSITED NICKEL PER QQ-N-290, .0003 MIN.SEMI-BRIGHT	MANUF	DATE	TITLE OUTLINE		
	CAGE CODE: 437R2		4 - WAY 1000 - 2000 MHz 400 WATT		
TOLERANCE .XX ±.02 .XXX ±.010 ANG. ±1/2°	SHEET OF 1 1	SCALE 1:1	SIZE B	P/N IPP-1110	REV. 2