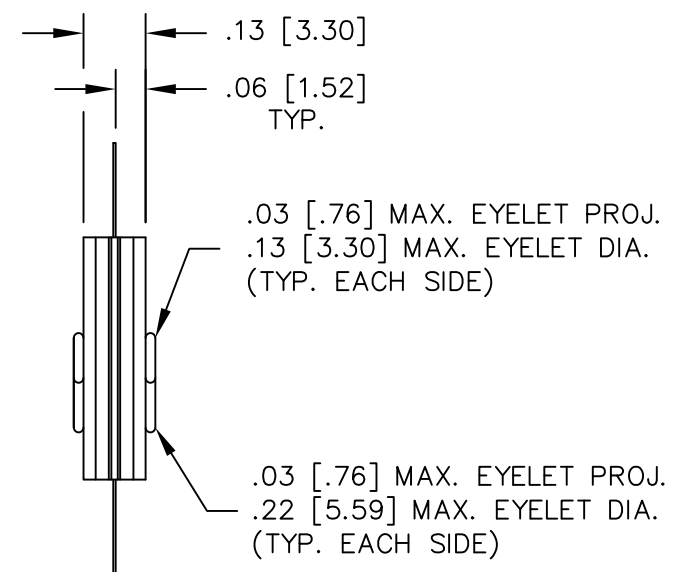
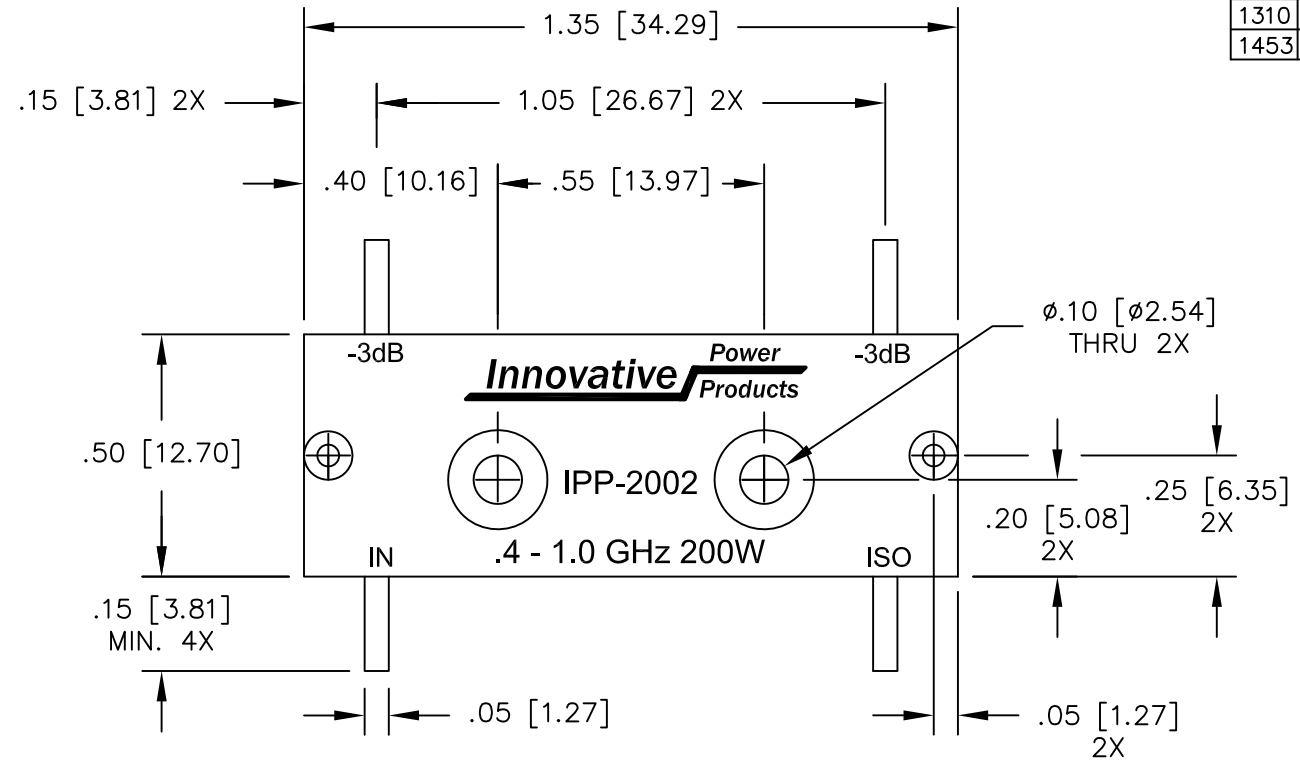


UNAUTHORIZED USE OF THIS  
DRAWING IS STRICTLY PROHIBITED

DAR	REV	DESCRIPTION	APPVD	DATE
1010	A	INITIAL RELEASE	TJD	8/05
1011	B	UPDATE LOG & BORDER	TJD	8/05
1045	C	ADD [mm] DIMENSIONS	TJD	12/05
1310	D	REVISE PHASE AND VSWR	TJD	7-07
1453	E	REVISE SPECIFICATIONS	DG	6-08



**NOTES**

- LEAD MATERIAL:  
99.99% PURE SILVER  
.005" THICK
- SEE 90° APPLICATION NOTE FOR FURTHER INFORMATION.
- RoHS COMPLIANT.

**ELECTRICAL SPECIFICATIONS**

FREQUENCY:	.4 - 1.0 GHz.
INSERTION LOSS:	< 0.25 dB
VSWR:	< 1.25:1
ISOLATION:	> 18.5 dB
AMPLITUDE BALANCE:	±0.65 dB
PHASE BALANCE:	±5°
POWER:	200 WATT
TEMPERATURE:	-55°C TO 85°C

**PACKAGE STYLE: 21**

MATERIAL AL. ALLOY, 6061-T6	DWN	DG	DATE	8/05	<b>Innovative Power Products</b>			
	ENG	TJD	DATE	8/05				
FINISH CHEM FILM, CLEAR, PER MIL-C-5541, CLASS 3	MANUF	TP	DATE	8/05	TITLE OUTLINE, COUP., 90°, .4 - 1.0 GHz. 200W			
	CAGE CODE: 437R2							
TOLERANCE IN [MM]	.xx ±.02 [.50]	.xxx ±.005 [.127]	ANG. ±1/2°	SHEET OF 1 1	SCALE 4:1	SIZE B	P/N IPP-2002	REV. E