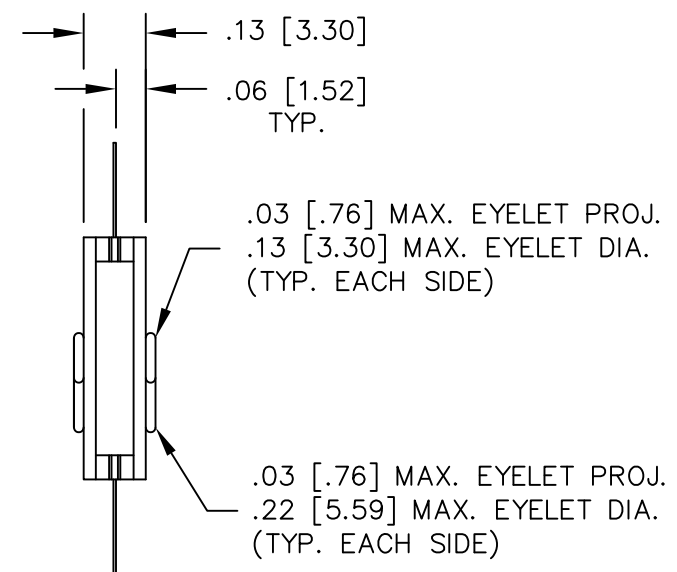
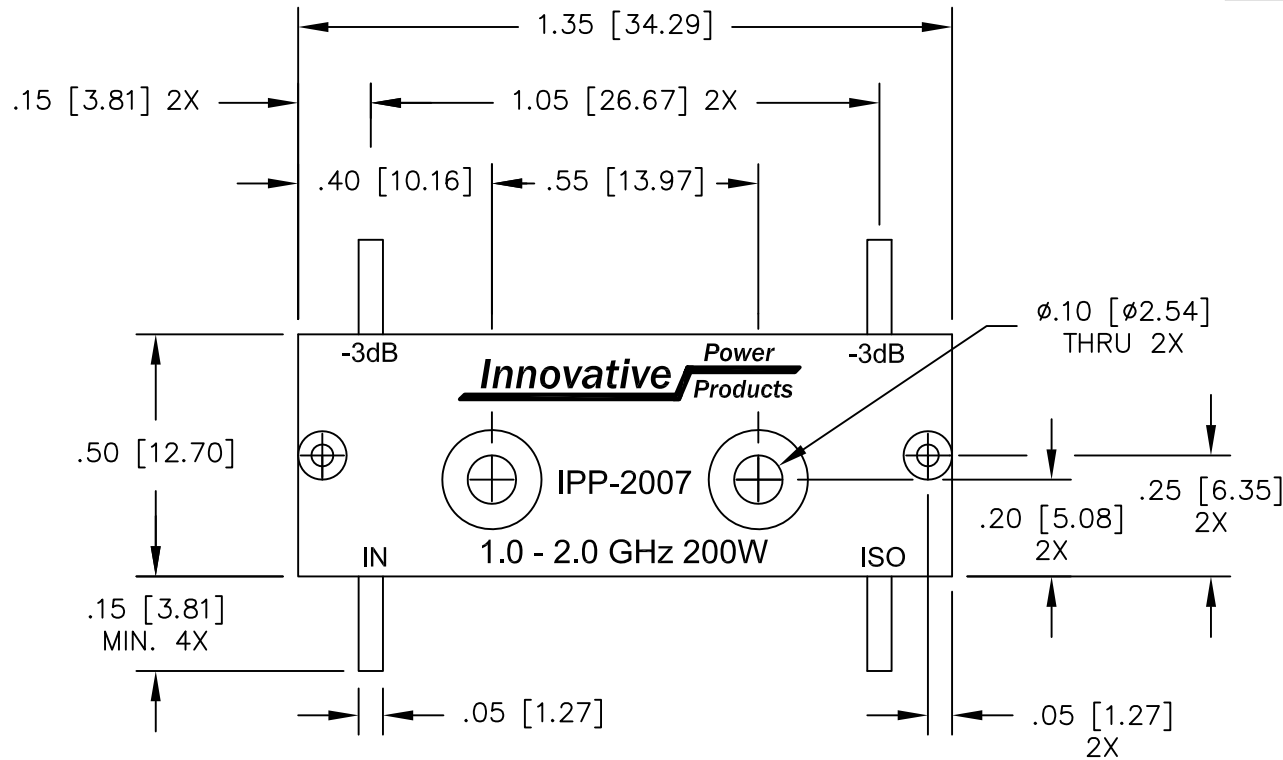


UNAUTHORIZED USE OF THIS
DRAWING IS STRICTLY PROHIBITED

DAR	REV	DESCRIPTION	APPVD	DATE
1036	A	INITIAL RELEASE	TJD	12-05
1131	B	ADD GROUND WRAP ON SIDE VIEW	TP	5-06
1453	C	REVISED SPECIFICATIONS	DG	6-08



NOTES

- LEAD MATERIAL:
99.99% PURE SILVER
.005" THICK
- SEE 90° APPLICATION
NOTE FOR FURTHER
INFORMATION.
- RoHS COMPLIANT.

ELECTRICAL SPECIFICATIONS

FREQUENCY:	1.0 - 2.0 GHz.
INSERTION LOSS:	< 0.25 dB
VSWR:	< 1.20:1
ISOLATION:	> 20 dB
AMPLITUDE BALANCE:	±0.50 dB
PHASE BALANCE:	±5°
POWER:	200 WATT
TEMPERATURE:	-55°C TO 85°C

PACKAGE STYLE: 21

MATERIAL AL. ALLOY, 6061-T6	DWN	DG	DATE	12/05	Innovative Power Products		
	ENG	TJD	DATE	12/05			
FINISH CHEM FILM, CLEAR, PER MIL-C-5541, CLASS 3	MANUF	TP	DATE	12/05	TITLE		
	CAGE CODE: 437R2				OUTLINE, COUP., 90°, 1.0 - 2.0 GHz. 200W		
TOLERANCE	SHEET OF		SCALE		SIZE	P/N	REV.
IN [MM]	1	1	4:1		B	IPP-2007	C
.XX ±.02 [.50]							
.XXX ±.005 [.127]							
ANG. ±1/2°							