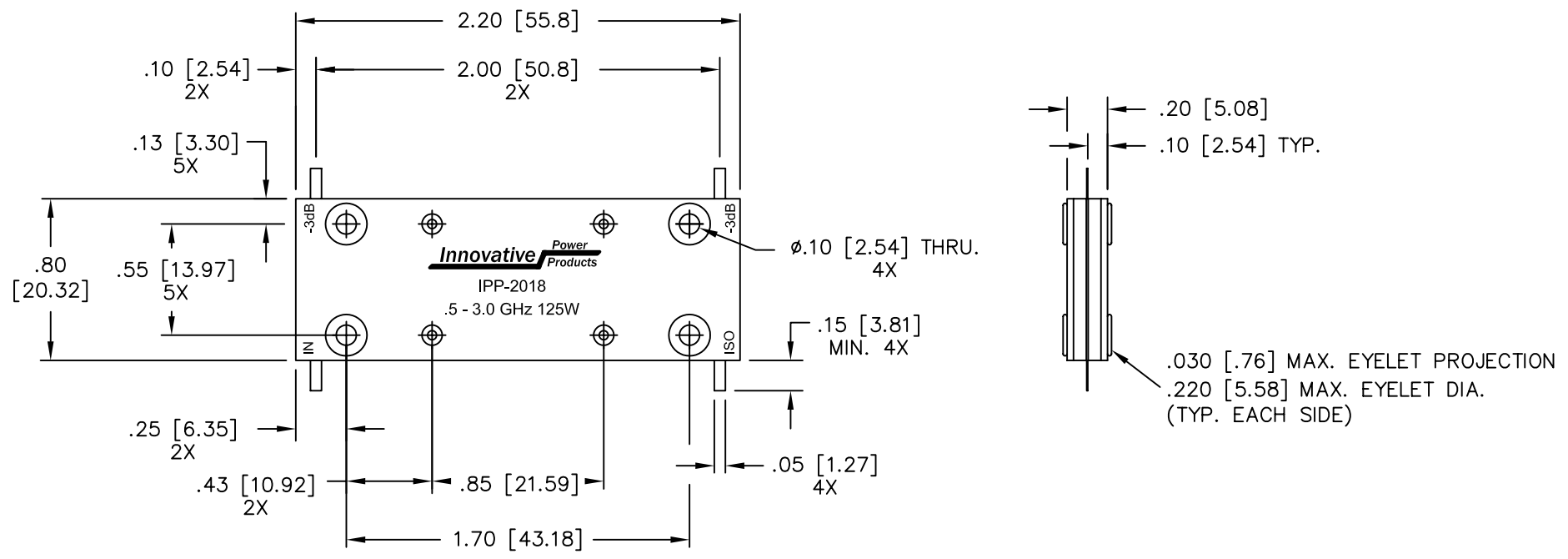


UNAUTHORIZED USE OF THIS
DRAWING IS STRICTLY PROHIBITED

DAR	REV	DESCRIPTION	APPVD	DATE
1048	A	INITIAL RELEASE	TJD	2-06
1280	B	CHANGE POWER FROM 200 W TO 125 W	TJD	4-07



NOTES

- LEAD MATERIAL:
99.99% PURE SILVER
.005" THICK
- SEE 90° APPLICATION
NOTE FOR FURTHER
INFORMATION.

ELECTRICAL SPECIFICATIONS

FREQUENCY:	0.5 – 3.0 GHz.
INSERTION LOSS:	< 0.60 dB
VSWR:	< 1.30:1
ISOLATION:	> 18 dB
AMPLITUDE BALANCE:	±0.80 dB
PHASE BALANCE:	±5°
POWER:	125 WATT
TEMPERATURE:	-55°C TO 85°C

PACKAGE STYLE: 24A

MATERIAL AL. ALLOY, 6061-T6	DWN	DG	DATE	2-06	Innovative Power Products
	ENG	TJD	DATE	2-06	
FINISH CHEM FILM, CLEAR, PER MIL-C-5541, CLASS 3	MANUF	TP	DATE	2-06	TITLE OUTLINE, COUP., 90°, .5 - 3.0 GHz. 125W
	CAGE CODE: 437R2				
TOLERANCE .XX ±.02 [.50] .XXX ±.005 [.127] ANG. ±1/2°	SHEET	OF	SCALE		P/N IPP-2018
	1	1	.5:1		
					REV. B