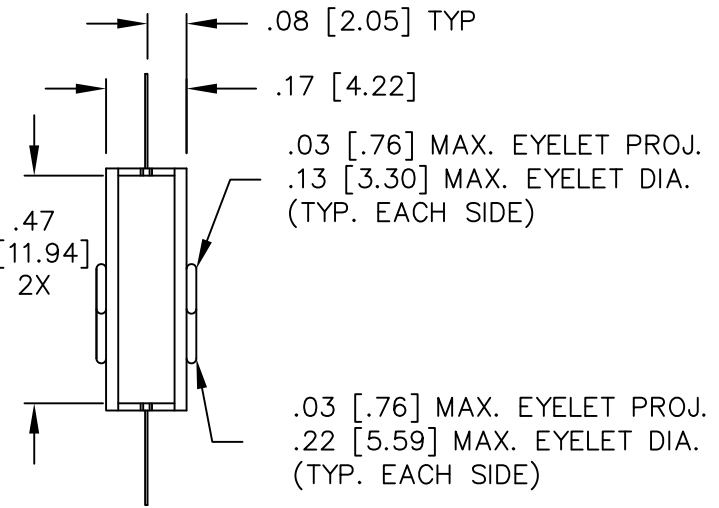
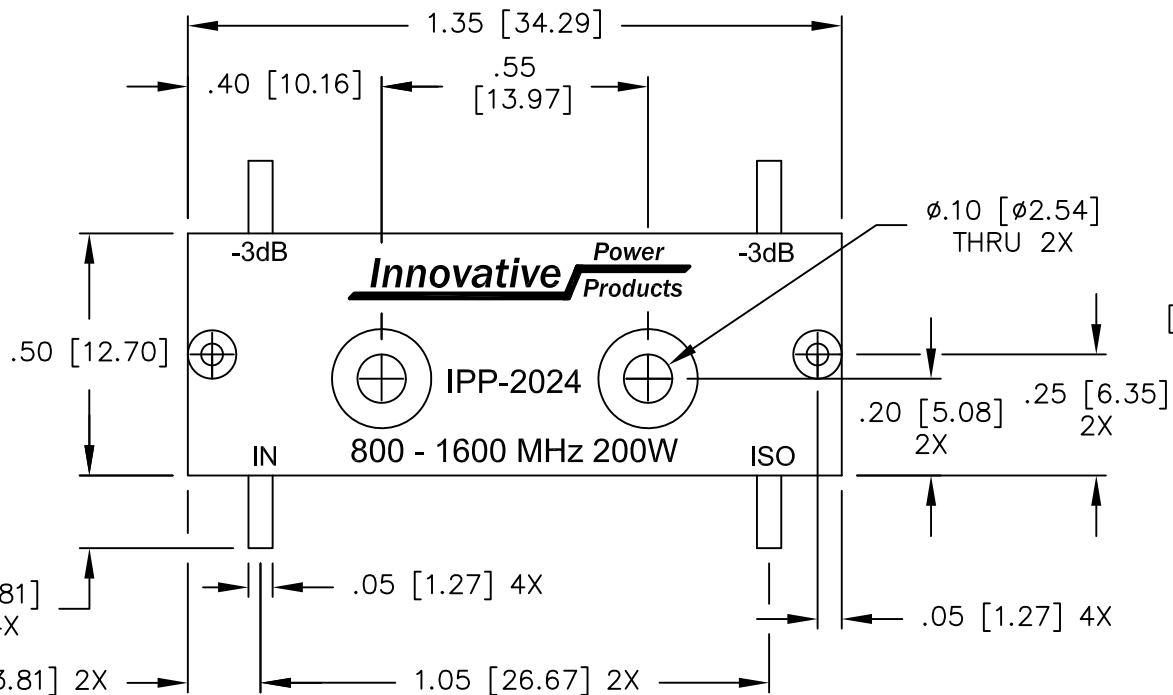
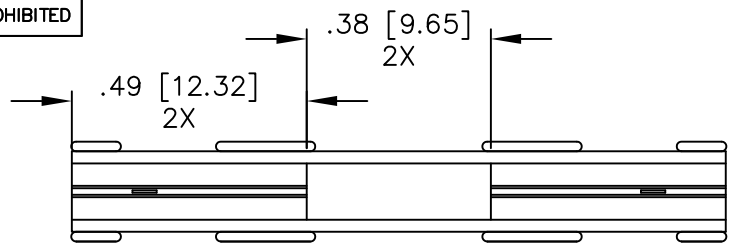


UNAUTHORIZED USE OF THIS
DRAWING IS STRICTLY PROHIBITED

DAR	REV	DESCRIPTION	APPVD	DATE
1062	A	INITIAL RELEASE	TJD	2-06
1453	B	REVISE SPECIFICATIONS	DG	6-08
1678	C	REVISE DIMS	DG	1-09
1739	D	SEE DAR	DG	2-09
1832	E	SEE DAR	DG	4-09



NOTES

- LEAD MATERIAL:
99.99% PURE SILVER
.005" THICK
- SEE 90° APPLICATION NOTE FOR FURTHER INFORMATION.
- RoHS COMPLIANT.

ELECTRICAL SPECIFICATIONS

FREQUENCY:	800 - 1600 MHz.
INSERTION LOSS:	< 0.25 dB
VSWR:	< 1.25:1
ISOLATION:	> 20 dB
AMPLITUDE BALANCE:	±0.50 dB
PHASE BALANCE:	±5°
POWER:	200 WATT
TEMPERATURE:	-55°C TO 85°C

PACKAGE STYLE: 21

MATERIAL AL. ALLOY, 6061-T6	DWN	DG	DATE	2-06			
	ENG	TJD	DATE	2-06			
FINISH CHEM FILM, CLEAR, PER MIL-DTL-5541, TYPE 2, REV. F, CLASS 3 (ROHS COMPLIANT)	MANUF	TP	DATE	2-06	TITLE OUTLINE, COUPLER 90°, 800 - 1600 MHz. 200W		
	CAGE CODE: 437R2						
TOLERANCE	.xx ±.02 [.50]	SHEET OF 1 1	SCALE 4:1	SIZE B	P/N IPP-2024	REV. E	
IN [MM]	.xxx ±.005 [.127] ANG. ±1/2°						