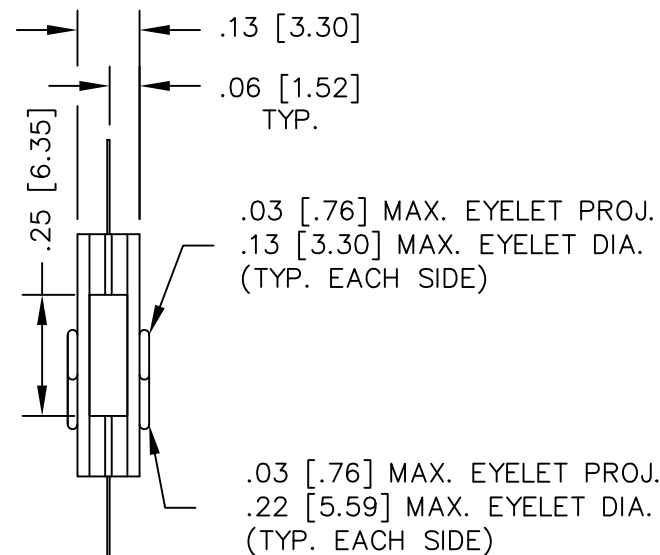
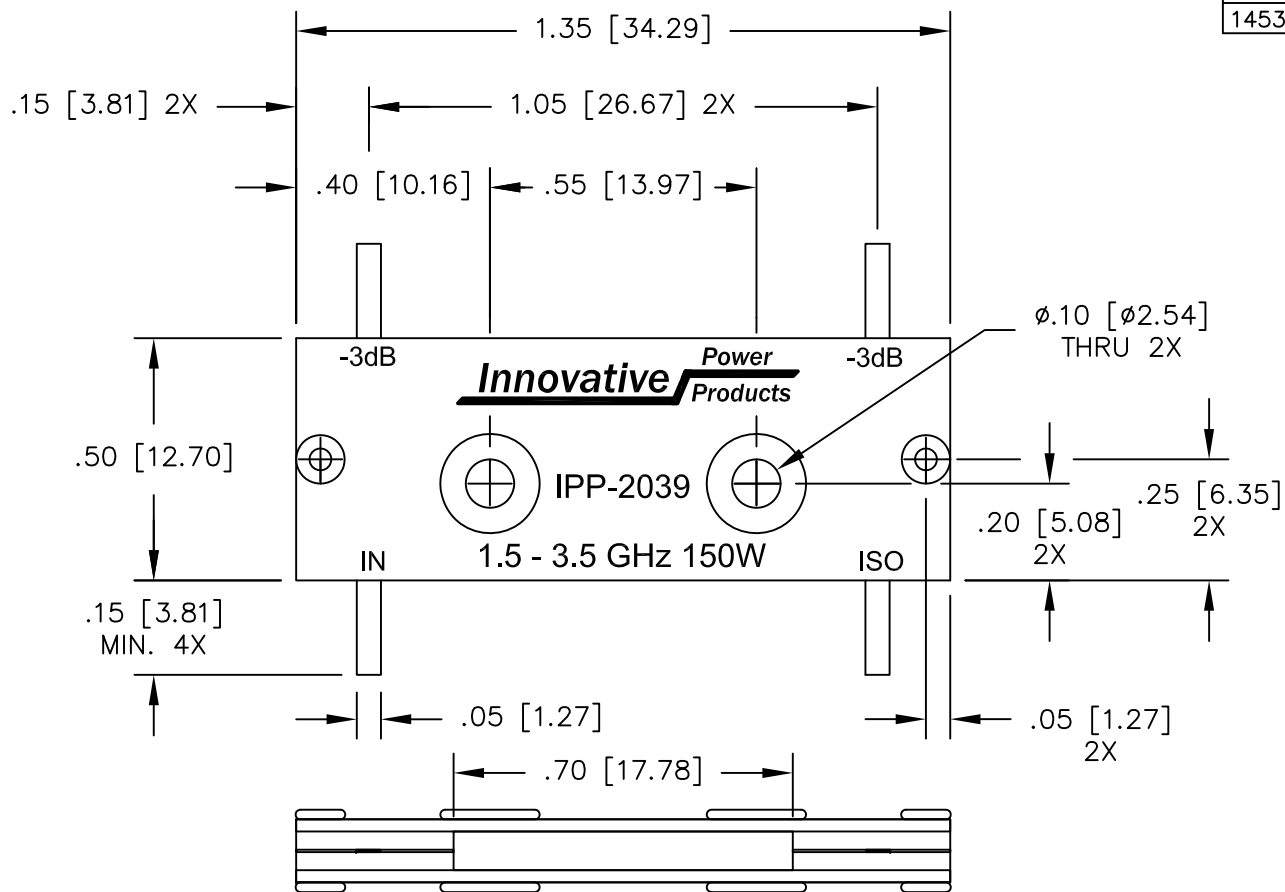


UNAUTHORIZED USE OF THIS  
DRAWING IS STRICTLY PROHIBITED

DAR	REV	DESCRIPTION	APPVD	DATE
1107	A	INITIAL RELEASE	TJD	5-06
1139	B	REVISE TO SHOW GROUND WRAPS	TJD	6-06
1282	C	CHANGE POWER FROM 200W TO 150W	TJD	4-07
1453	D	REVISED SPECIFICATIONS	TJD	5-08



**NOTES**

- LEAD MATERIAL:  
99.99% PURE SILVER  
.005" THICK
- SEE 90° APPLICATION  
NOTE FOR FURTHER  
INFORMATION.
- RoHS COMPLIANT.

**ELECTRICAL SPECIFICATIONS**

FREQUENCY:	1.5 - 3.5 GHz.
INSERTION LOSS:	< 0.25 dB
VSWR:	< 1.25:1
ISOLATION:	> 18 dB
AMPLITUDE BALANCE:	±0.60 dB
PHASE BALANCE:	±5°
POWER:	150 WATT
TEMPERATURE:	-55°C TO 85°C

**PACKAGE STYLE: 21**

MATERIAL AL. ALLOY, 6061-T6	DWN	DG	DATE	5-06	<b>Innovative Power Products</b>
	ENG	TJD	DATE	5-06	
FINISH CHEM FILM, CLEAR, PER MIL-C-5541, CLASS 3	MANUF	TP	DATE	5-06	TITLE
	CAGE CODE: 437R2			OUTLINE	
TOLERANCE	SHEET OF		SCALE	COUPLER, 90°, 1.5 - 3.5 GHz, 150W	
IN [MM]	1	1	4:1	SIZE	REV.
.xx ±.02 [.50]				B	D
.xxx ±.005 [.127]				P/N	
ANG. ±1/2°				IPP-2039	