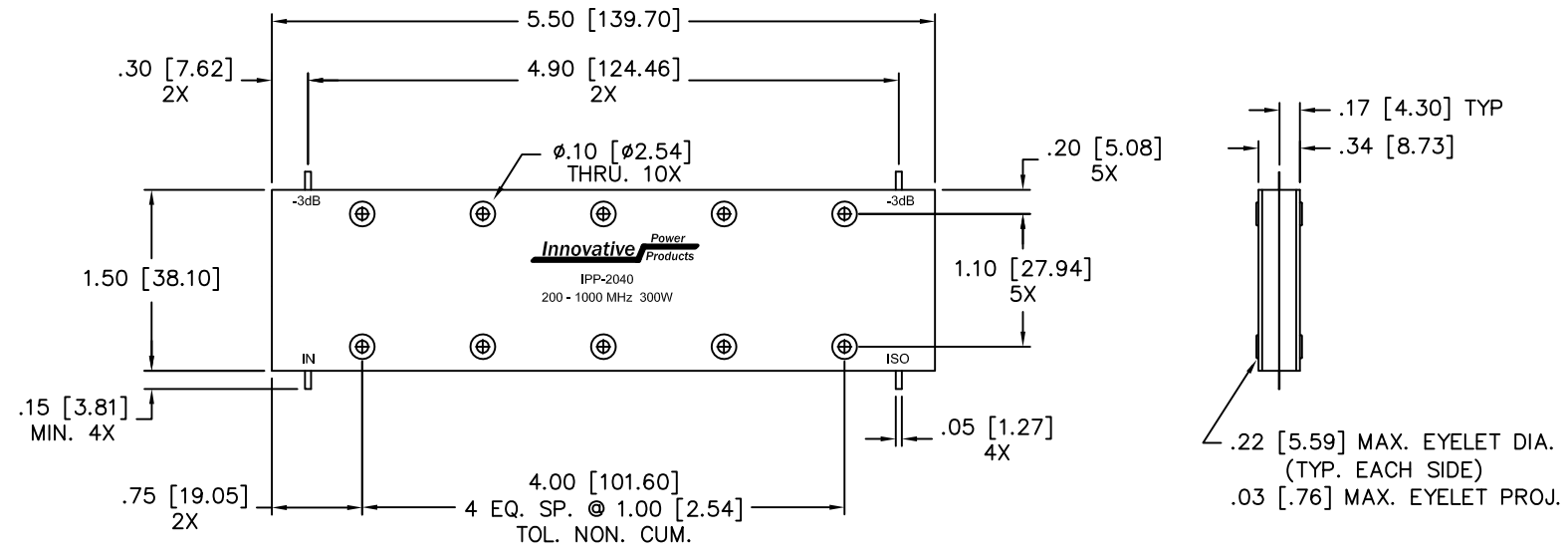


UNAUTHORIZED USE OF THIS
DRAWING IS STRICTLY PROHIBITED

| DAR | REV | DESCRIPTION | APPVD | DATE |
|------|-----|------------------------|-------|------|
| 1117 | A | INITIAL RELEASE | TJD | 4-06 |
| 1453 | B | REVISED SPECIFICATIONS | DG | 5-08 |
| 1988 | C | SEE DAR | DG | 8-09 |



NOTES

1. LEAD MATERIAL:
99.99% PURE SILVER
.005" THICK
2. SEE 90° APPLICATION
NOTE FOR FURTHER
INFORMATION.
3. RoHS COMPLIANT.

ELECTRICAL SPECIFICATIONS

| | |
|--------------------|-----------------|
| FREQUENCY: | 200 - 1000 MHz. |
| INSERTION LOSS: | < 0.5 dB |
| VSWR: | < 1.3:1 |
| ISOLATION: | > 16 dB |
| AMPLITUDE BALANCE: | ±0.75 dB |
| PHASE BALANCE: | ±5° |
| POWER: | 300 WATT |
| TEMPERATURE: | -55°C TO 85°C |

PACKAGE STYLE: 28

| | | | | | | |
|---|--------------------|-----------------|--------------|------|--|------|
| MATERIAL AL. ALLOY, 6061-T6 | DWN | DG | DATE | 4/06 | Innovative Power Products | |
| | ENG | TJD | DATE | 4/06 | | |
| FINISH CHEM FILM CLEAR PER MIL-DTL-5541, TYPE 2, REV F, CLASS 3 ROHS COMPLIANT | MANUF | TP | DATE | 4/06 | TITLE OUTLINE, COUP., 90°, 200 - 1000 MHz. 300W | |
| | CAGE CODE: 437R2 | | | | | |
| TOLERANCE | .xx ±.02 [.50] | SHEET OF 1 1 | SCALE 1:1 | SIZE | P/N | REV. |
| IN [MM] | .xxx ±.005 [.127] | | | B | IPP-2040 | C |
| | ANG. ±1/2° | | | | | |