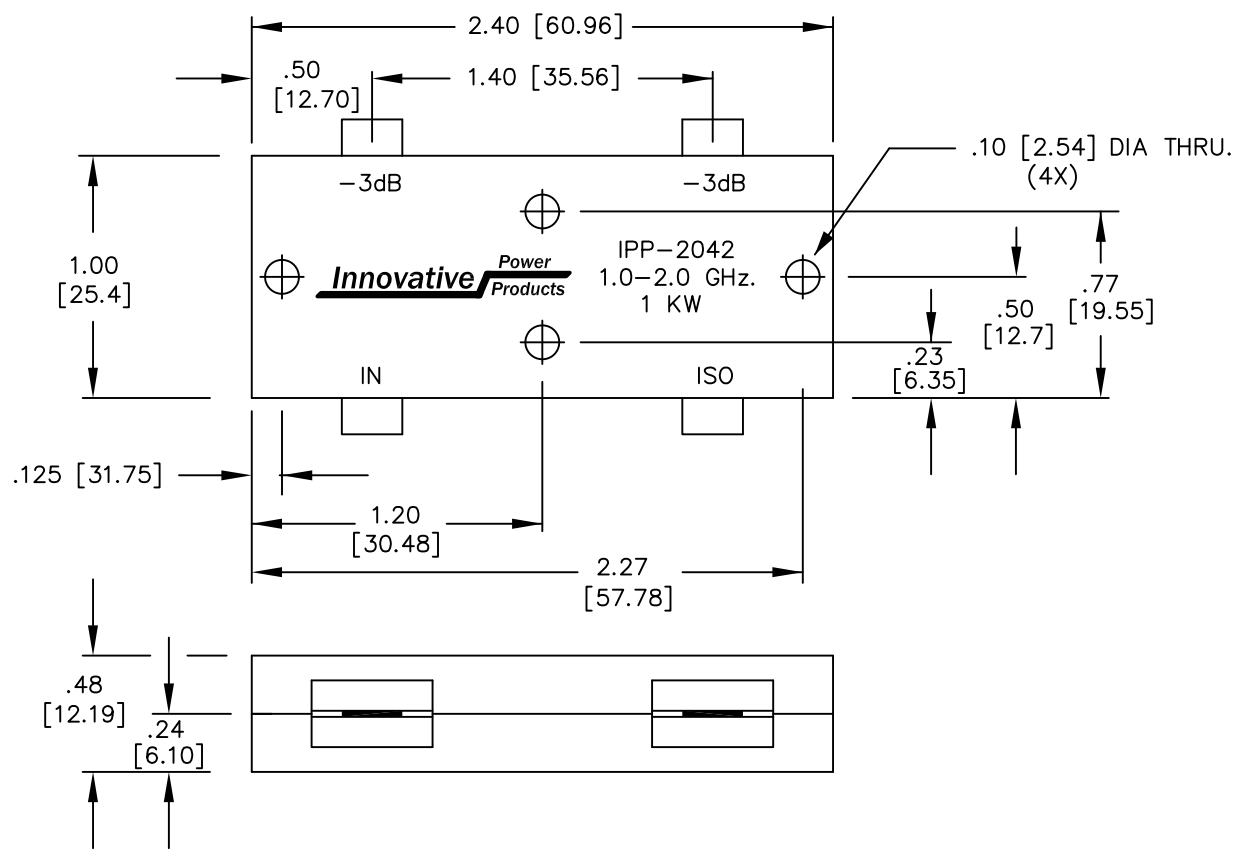


UNAUTHORIZED USE OF THIS
DRAWING IS STRICTLY PROHIBITED

DAR	REV	DESCRIPTION	APPVD	DATE
1135	A	INITIAL RELEASE	TJD	6-06



NOTES

1. LEAD MATERIAL: 99.99% PURE SILVER
WIDTH: .25 THICK: .005 . LENGTH: .15 MIN

ELECTRICAL SPECIFICATIONS

- FREQUENCY: 1.0 - 2.0 GHz.
- INSERTION LOSS: < 0.20 dB
- VSWR: < 1.25:1
- ISOLATION: > 18 dB
- AMPLITUDE BALANCE: ±0.5 dB
- PHASE BALANCE: ±5°
- POWER: 1 KW
- TEMPERATURE: -55°C TO 85°C

MATERIAL	DWN DG	DATE 6-06	Innovative Power Products		
AL. ALLOY, 6061-T6	ENG TJD	DATE 6-06			
FINISH	MANUF TP	DATE 6-06	TITLE		
CHEM FILM, CLEAR, PER MIL-C-5541, CLASS 3	CAGE CODE: 437R2		OUTLINE		
TOLERANCE	SHEET OF		1.0 - 2.0 GHz., 1 KW, 90° COUPLER		
.xx ±.02 [.50]	1	1	SCALE	2:1	
IN [MM]	.xxx ±.005 [.127]		SIZE	B	
ANG. ±1/2°			P/N	IPP-2042	
				REV.	A