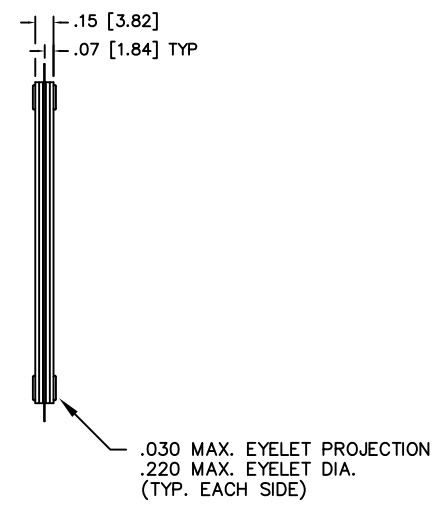
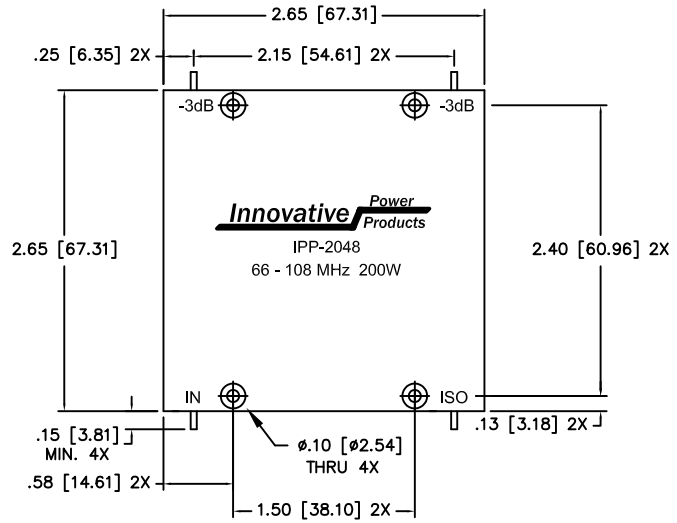


UNAUTHORIZED USE OF THIS  
DRAWING IS STRICTLY PROHIBITED

DAR	REV	DESCRIPTION	APPVD	DATE
1108	A	INITIAL RELEASE	TJD	7-06
1358	B	CHANGE LEAD WIDTH FROM .120 TO .050	TJD	7-06
1453	C	REVISED SPECIFICATIONS	TJD	5-08
1577	D	CHANGE LD HEIGHT & HEIGHT DIMS	DG	10-08



**NOTES**

- LEAD: 99.99% PURE SILVER  
.050 WIDE x .005 THICK
- DIMENSIONS: IN [mm]
- SEE 90° APPLICATION NOTE FOR FURTHER INFORMATION.
- RoHS COMPLIANT.

**ELECTRICAL SPECIFICATIONS**

FREQUENCY:	66 - 108 MHz.
INSERTION LOSS:	< 0.25 dB
VSWR:	< 1.25:1
ISOLATION:	> 20 dB
AMPLITUDE BALANCE:	±0.40 dB
PHASE BALANCE:	±5°
POWER:	200 WATT
TEMPERATURE:	-55°C TO 85°C

**PACKAGE STYLE: 29**

MATERIAL AL. ALLOY, 6061-T6	DWN	DG	DATE	7-06			
	ENG	TJD	DATE	7-06			
FINISH CHEM FILM, CLEAR, CLASS 3, RoHS COMPLIANT	MANUF	TP	DATE	7-06	TITLE OUTLINE, COUP., 90°, 66 - 108 MHz. 200W		
	CAGE CODE: 437R2						
TOLERANCE IN [MM]	.xx	±.02	[.50]		SIZE	P/N	REV.
	.xxx	±.005	[.127]	ANG. ±1/2°	B	IPP-2048	D
	SHEET	OF	SCALE				
	1	1	1:1				