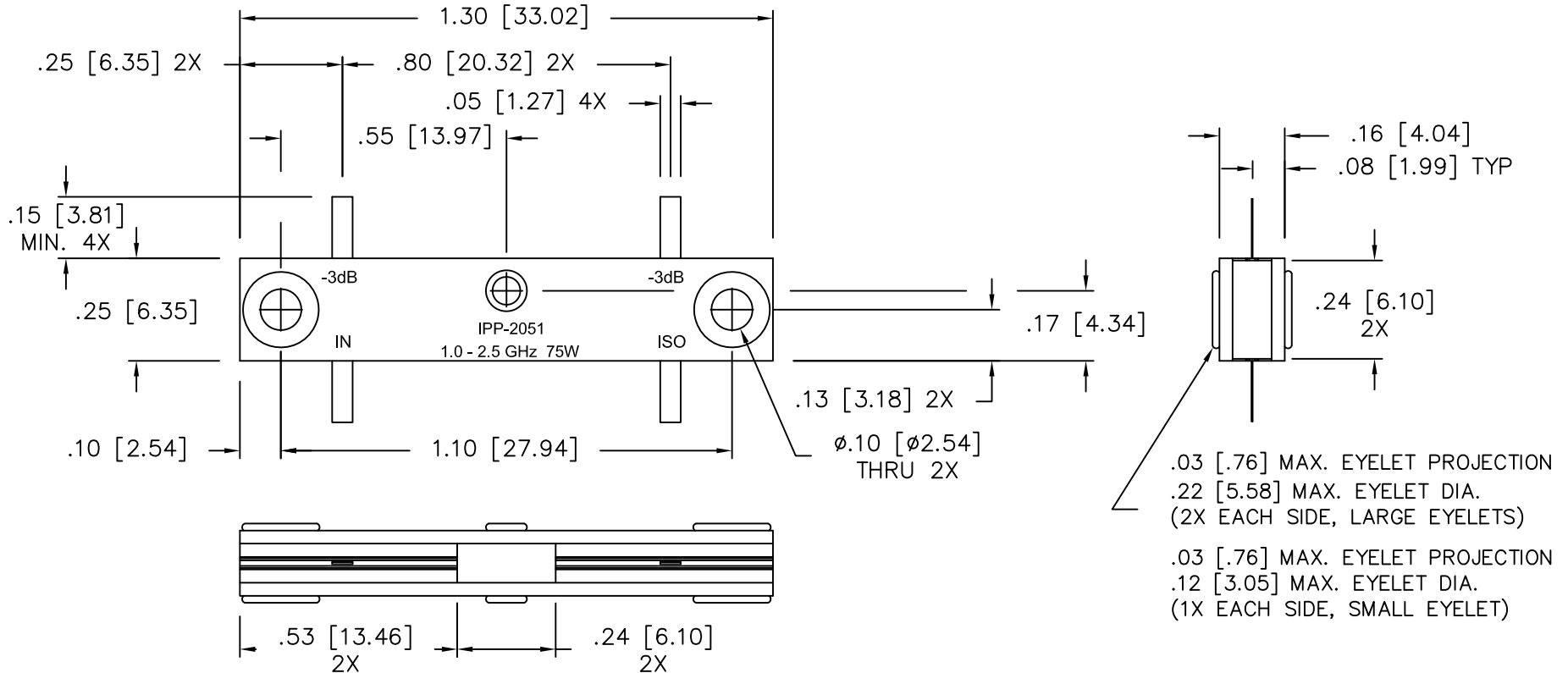


UNAUTHORIZED USE OF THIS
DRAWING IS STRICTLY PROHIBITED

DAR	REV	DESCRIPTION	APPVD	DATE
1160	A	INITIAL RELEASE	TJD	8-06
1453	B	REVISED SPECIFICATIONS	TJD	5-08
1737	C	.16 WAS .13, .08 WAS .06, ROHS FINISH	DG	2-09
1825	D	SEE DAR	DG	4-09



NOTES

1. LEAD MATERIAL:
99.99% PURE SILVER
.005" THICK
2. SEE 90° APPLICATION
NOTE FOR FURTHER
INFORMATION.
3. RoHS COMPLIANT.

ELECTRICAL SPECIFICATIONS

FREQUENCY:	1.0 - 2.5 GHz.
INSERTION LOSS:	< 0.25 dB
VSWR:	< 1.25:1
ISOLATION:	> 19 dB
AMPLITUDE BALANCE:	±0.65 dB
PHASE BALANCE:	±5°
POWER:	75 WATT
TEMPERATURE:	-55°C TO 85°C

MATERIAL	DWN DG	DATE 8-06	Innovative Power Products		
AL. ALLOY, 6061-T6	ENG TJD	DATE 8-06			
FINISH	MANUF TP	DATE 8-06	TITLE		
CHEM FILM, CLEAR, PER MIL-DTL-5541, TYPE 2, REV. F, CLASS 3 (ROHS COMPLIANT)	CAGE CODE: 437R2		OUTLINE, COUP., 90°, 1.0 - 2.5 GHz, 75W		
TOLERANCE	SHEET OF	SCALE	SIZE	P/N	REV.
.XX ±.02 [.50] IN [MM] .XXX ±.005 [.127] ANG. ±1/2°	1 1	4:1	B	IPP-2051	D