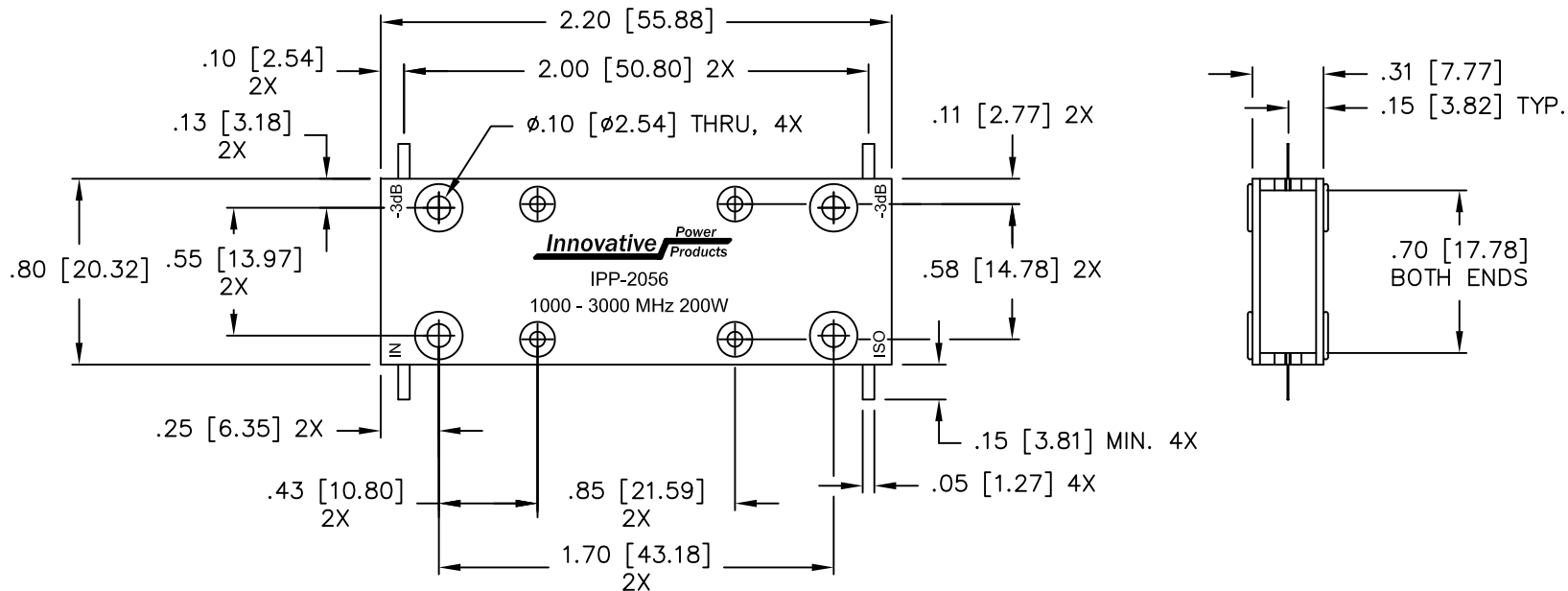
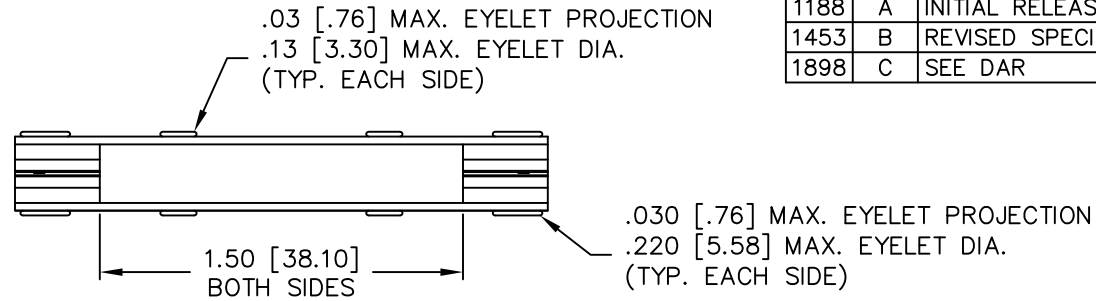


UNAUTHORIZED USE OF THIS  
DRAWING IS STRICTLY PROHIBITED

DAR	REV	DESCRIPTION	APPVD	DATE
1188	A	INITIAL RELEASE	TJD	9-06
1453	B	REVISED SPECIFICATIONS	TJD	5-08
1898	C	SEE DAR	DG	6-09



**NOTES**

- LEAD MATERIAL:  
99.99% PURE SILVER  
.005" THICK
- SEE 90° APPLICATION  
NOTE FOR FURTHER  
INFORMATION.
- RoHS COMPLIANT

**ELECTRICAL SPECIFICATIONS**

FREQUENCY:	1000 - 3000 MHz.
INSERTION LOSS:	< 0.50 dB
VSWR:	< 1.32:1
ISOLATION:	> 17 dB
AMPLITUDE BALANCE:	±0.70 dB
PHASE BALANCE:	±5°
POWER:	200 WATT
TEMPERATURE:	-55°C TO 85°C

MATERIAL AL. ALLOY, 6061-T6	DWN	DG	DATE	9-06	<b>Innovative Power Products</b>		
	ENG	TJD	DATE	9-06			
FINISH CHEM FILM CLEAR PER MIL-DTL-5541, TYPE 2, REV F, CLASS 3, ROHS COMPLIANT	MANUF	TP	DATE	9-06	TITLE OUTLINE, COUP., 90°, 1000 - 3000 MHz. 200W		
	CAGE CODE: 437R2						
TOLERANCE .XX ±.02 [.50] .XXX ±.005 [.127] ANG. ±1/2°	SHEET	OF	SCALE		SIZE	P/N	REV.
	1	1	2:1		B	IPP-2056	C