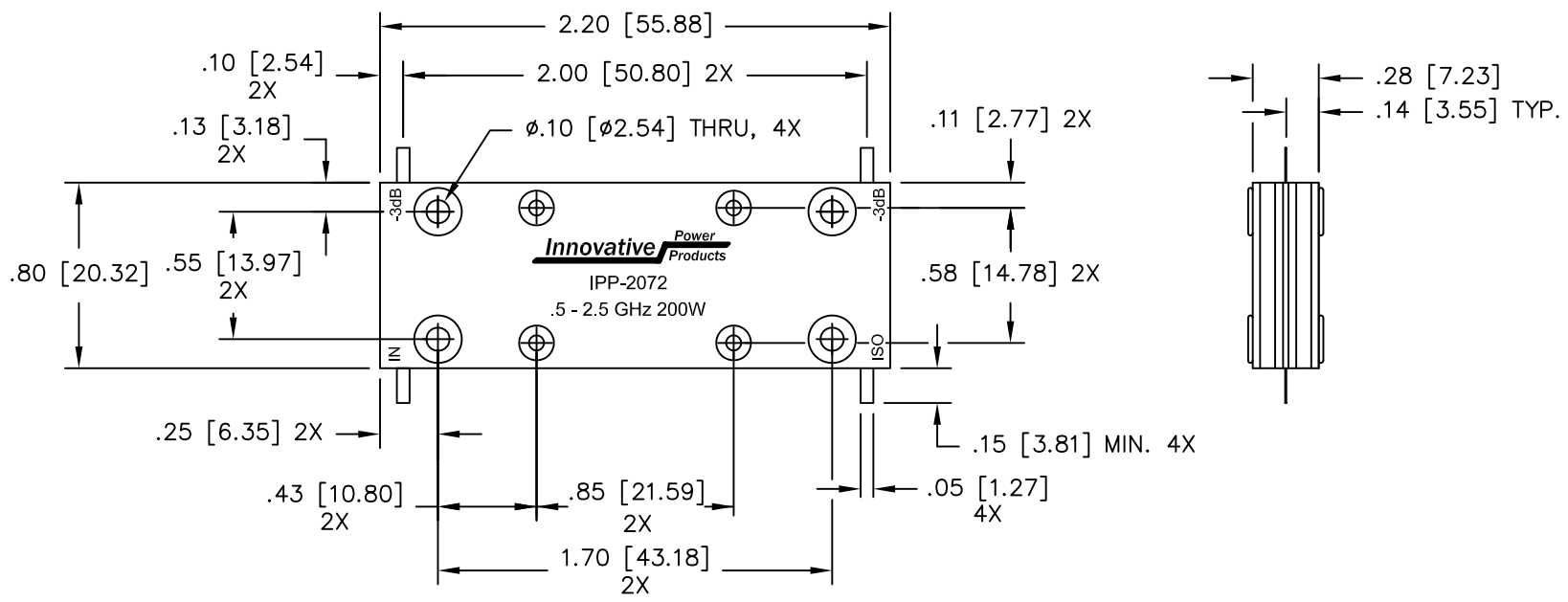
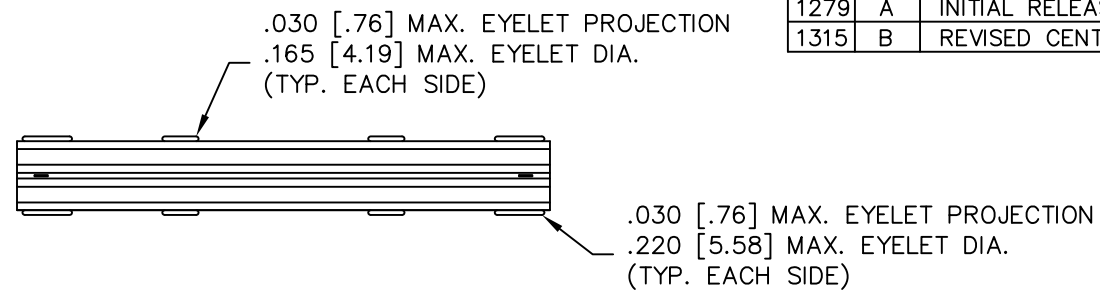


UNAUTHORIZED USE OF THIS
DRAWING IS STRICTLY PROHIBITED

DAR	REV	DESCRIPTION	APPVD	DATE
1279	A	INITIAL RELEASE	TJD	4-07
1315	B	REVISED CENTER EYELETS	TJD	8-07



NOTES

- LEAD MATERIAL:
99.99% PURE SILVER
.005" THICK
- SEE 90° APPLICATION
NOTE FOR FURTHER
INFORMATION.

ELECTRICAL SPECIFICATIONS

FREQUENCY:	0.5 - 2.5 GHz.
INSERTION LOSS:	< 0.50 dB
VSWR:	< 1.32:1
ISOLATION:	> 17 dB
AMPLITUDE BALANCE:	±0.70 dB
PHASE BALANCE:	±6°
POWER:	200 WATT
TEMPERATURE:	-55°C TO 85°C

MATERIAL	DWN DG	DATE 4-07	Innovative Power Products
AL. ALLOY, 6061-T6	ENG TJD	DATE 4-07	
FINISH	MANUF TP	DATE 4-07	TITLE OUTLINE, COUP., 90°, .5 - 2.5 GHz. 200W
CHEM FILM, CLEAR, PER MIL-C-5541, CLASS 3	CAGE CODE: 437R2		
TOLERANCE	SHEET OF	SCALE	P/N IPP-2072
.XX ±.02 [.50] .XXX ±.005 [.127] ANG. ±1/2°	1 1	.5:1	