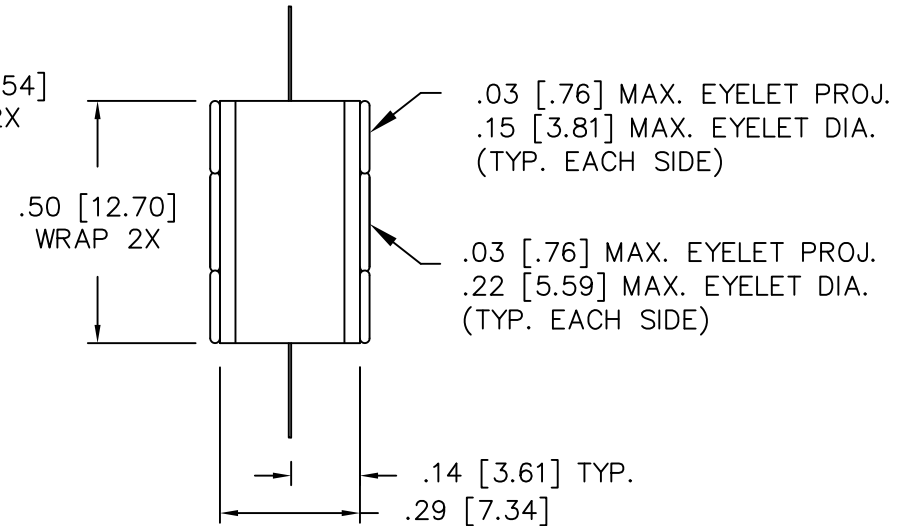
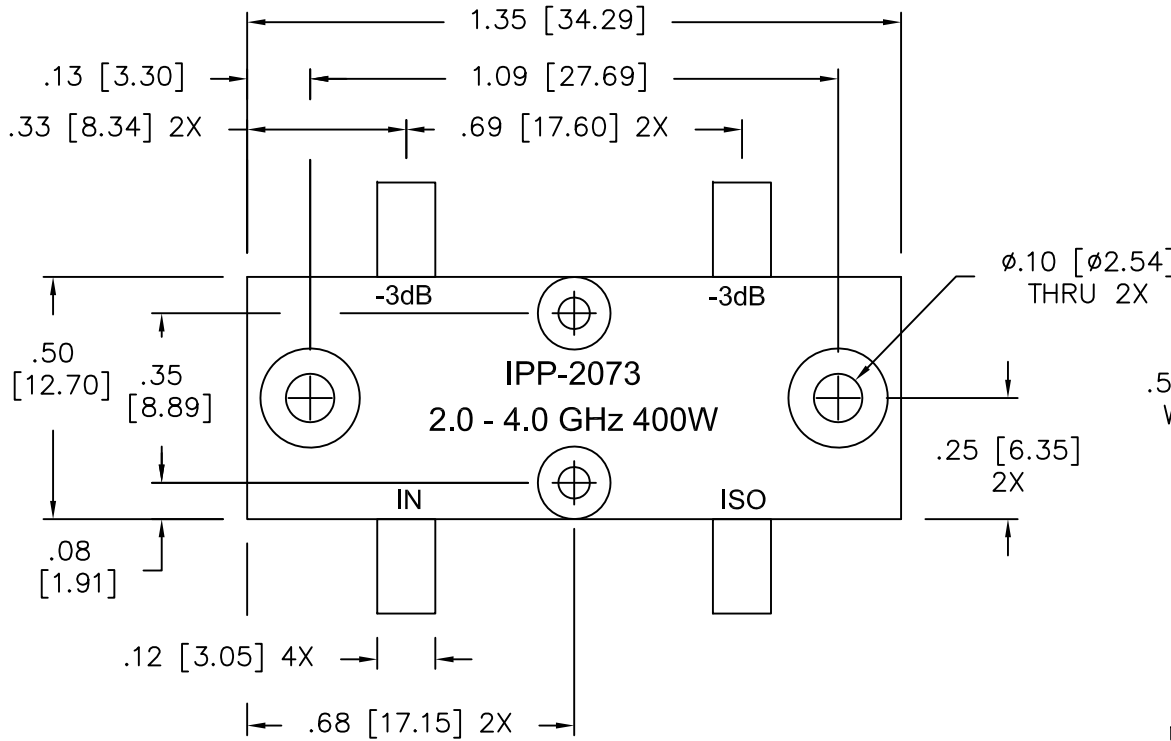


UNAUTHORIZED USE OF THIS
DRAWING IS STRICTLY PROHIBITED

DAR	REV	DESCRIPTION	APPVD	DATE
1284	A	INITIAL RELEASE	TJD	5-07
1294	B	CHANGE HOLE TO HOLE DIMENSION	TJD	5-07
1319	C	REVISED CENTER EYELETS	TJD	8-07
1636	D	REVISED DIMS	DG	12-08
1827	E	SEE DAR	DG	4-09
1845	F	SEE DAR	DG	5-09
1930	G	SEE DAR	DG	6-09

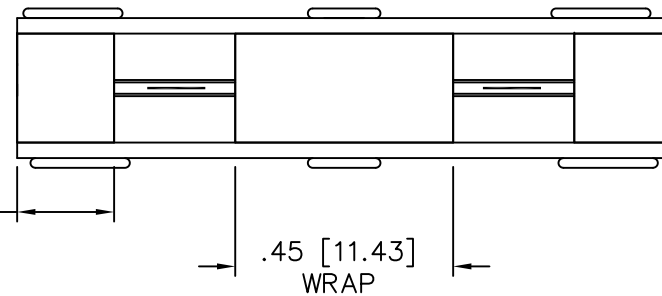


NOTES

- LEAD MATERIAL:
99.99% PURE SILVER
.005" THICK, .15 MIN. LG.
- SEE 90° APPLICATION
NOTE FOR FURTHER
INFORMATION.
- RoHS COMPLIANT

ELECTRICAL SPECIFICATIONS

FREQUENCY:	2.0 - 4.0 GHz.
INSERTION LOSS:	< 0.3 dB
VSWR:	< 1.30:1
ISOLATION:	> 18 dB
AMPLITUDE BALANCE:	±0.50 dB
PHASE BALANCE:	±5°
POWER:	400 WATT
TEMPERATURE:	-55°C TO 85°C



MATERIAL AL. ALLOY, 6061-T6	DWN DG	DATE 5-07	Innovative Power Products
FINISH CHEM FILM CLEAR PER MIL-DTL-5541, TYPE 2, REV F CLASS 3 ROHS COMPLIANT	ENG TJD	DATE 5-07	
TOLERANCE IN [MM]	MANUF TP	DATE 5-07	TITLE OUTLINE, COUP., 90°, 2.0 - 4.0 GHz. 400W
.XX ±.02 [.50] .XXX ±.010 [.254] ANG. ±1/2°	CAGE CODE: 437R2		SIZE P/N B IPP-2073
	SHEET OF 1 1	SCALE 4:1	REV. G