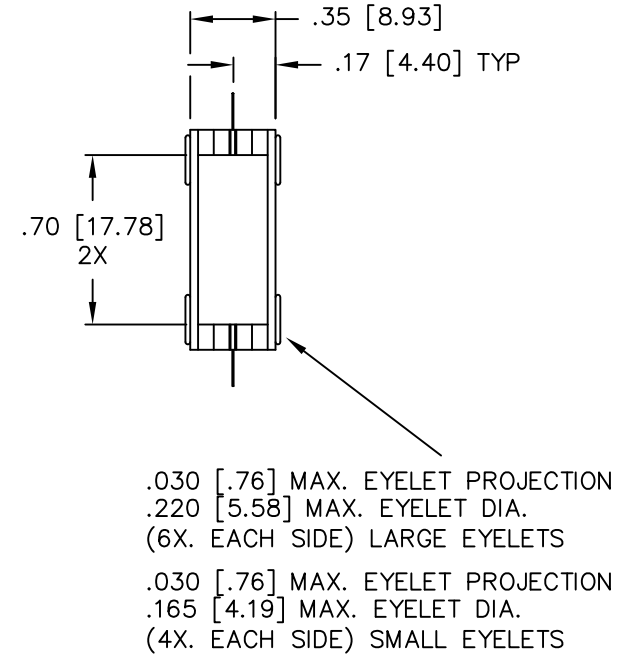
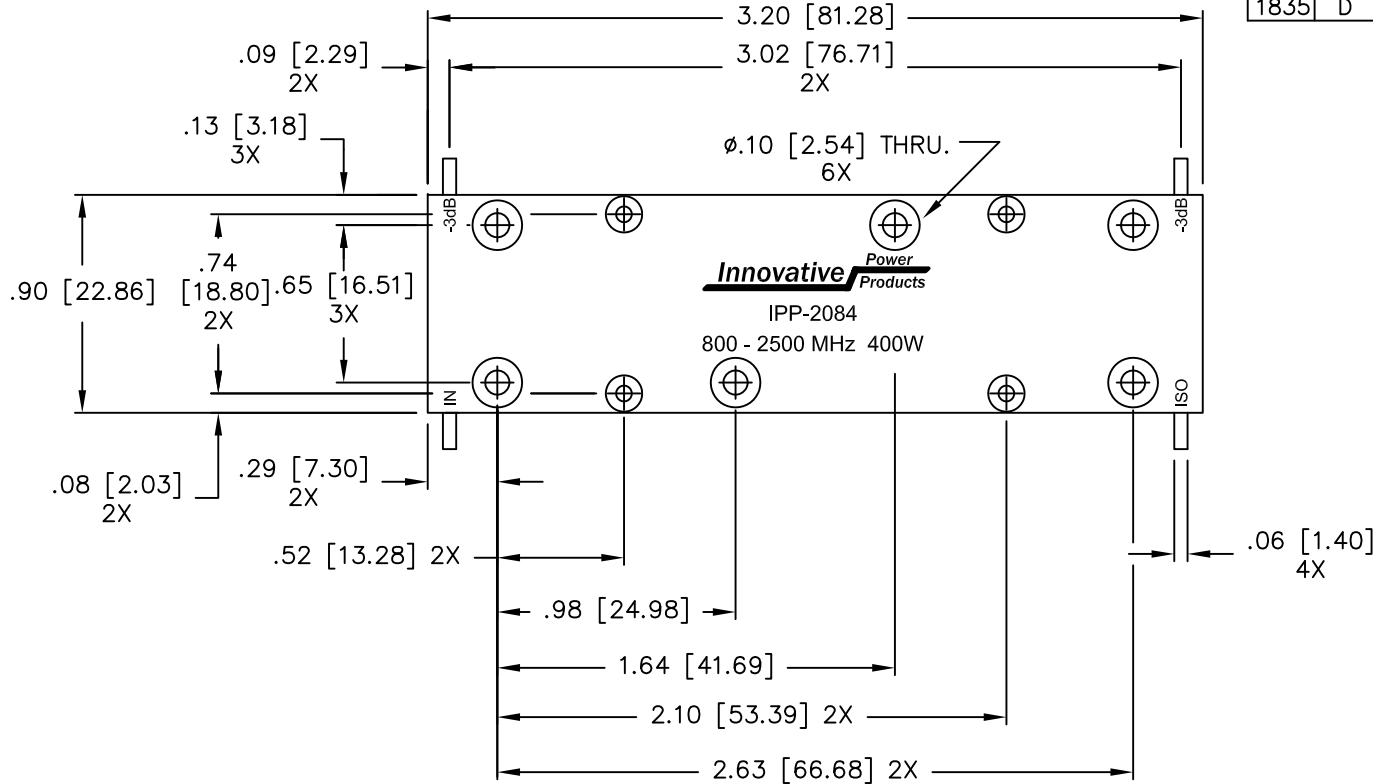


UNAUTHORIZED USE OF THIS
DRAWING IS STRICTLY PROHIBITED

DAR	REV	DESCRIPTION	APPVD	DATE
1332	A	RELEASE	TJD	9-07
1334	B	CHANGE DIMENSIONS	TP	10-07
1378	C	THICKNESS WAS .32, REMOVED GROUNDS	DG	12-07
1835	D	SEE DAR	DG	4-09




NOTES

1. LEAD MATERIAL:
99.99% PURE SILVER
.005" THICK
2. SEE 90° APPLICATION
NOTE FOR FURTHER
INFORMATION.
3. RoHS COMPLIANT.

ELECTRICAL SPECIFICATIONS

FREQUENCY:	800 - 2500 MHz.
INSERTION LOSS:	< 0.40 dB
VSWR:	< 1.30:1
ISOLATION:	> 17 dB
AMPLITUDE BALANCE:	±0.5 dB
PHASE BALANCE:	±5°
POWER:	400 WATT
TEMPERATURE:	-55°C TO 85°C

MATERIAL AL. ALLOY, 6061-T6	DWN	DG	DATE	9-07	 TITLE OUTLINE, COUP., 90°, 800 - 2500 MHz. 400W
	ENG	TJD	DATE	9-07	
FINISH CHEM FILM, CLEAR, PER MIL-C-5541, CLASS 3	MANUF	TP	DATE	9-07	
	CAGE CODE: 437R2				
TOLERANCE .XX ±.02 [.50] .XXX ±.010 [.254] ANG. ±1/2°	SHEET	OF	SCALE		
	1	1	.5:1		
SIZE	P/N		REV.		
B	IPP-2084		D		