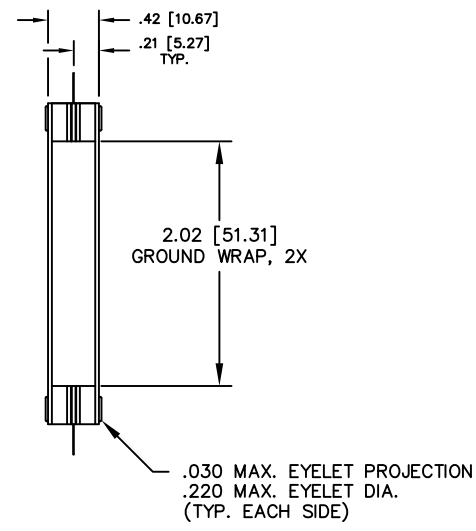
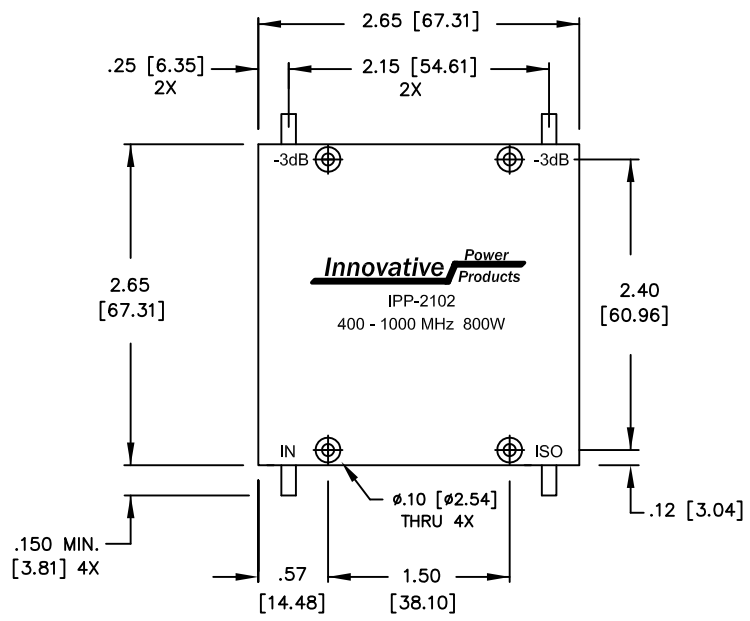
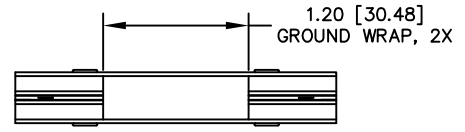


UNAUTHORIZED USE OF THIS
DRAWING IS STRICTLY PROHIBITED

DAR	REV	DESCRIPTION	APPVD	DATE
1444	A	INITIAL RELEASE	DG	4-08
1496	B	ADDED GROUND WRAPS	DG	8-08
1529	C	REVISED WRAP DIM FROM 2.40 TO 2.02	DG	9-08



NOTES

1. LEAD: 99.99% PURE SILVER
.120 WIDE x .005 THICK
2. DIMENSIONS: IN [mm]
3. SEE 90° APPLICATION NOTE FOR FURTHER INFORMATION.
4. RoHS COMPLIANT.

ELECTRICAL SPECIFICATIONS

FREQUENCY: 400 – 1000 MHz.
 INSERTION LOSS: < 0.20 dB
 VSWR: > 1.25:1
 ISOLATION: > 20 dB
 AMPLITUDE BALANCE: ±0.70 dB
 PHASE BALANCE: ±5°
 POWER: 800 WATT
 TEMPERATURE: -55°C TO 85°C

MATERIAL AL. ALLOY, 6061-T6	DWN DG	DATE 4-08	Innovative Power Products			
	ENG TJD	DATE 4-08				
FINISH CHEM FILM, CLEAR, CLASS 3, RoHS COMPLIANT	MANUF TP	DATE 4-08	TITLE OUTLINE, COUP., 90°, 400 - 1000 MHz. 800W			
	CAGE CODE: 437R2					
TOLERANCE IN [MM]	.xx ±.02 [.50] .xxx ±.005 [.127] ANG. ±1/2°	SHEET OF 1 1	SCALE 1:1	SIZE B	P/N IPP-2102	REV. C