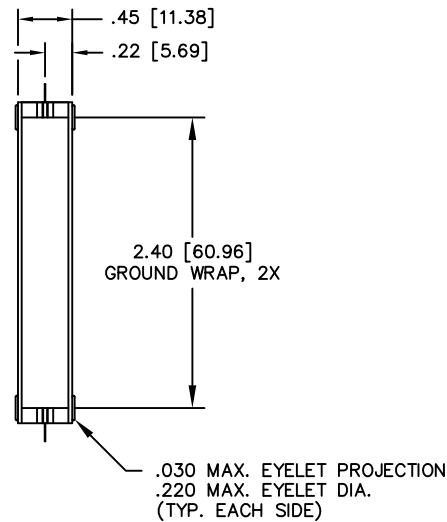
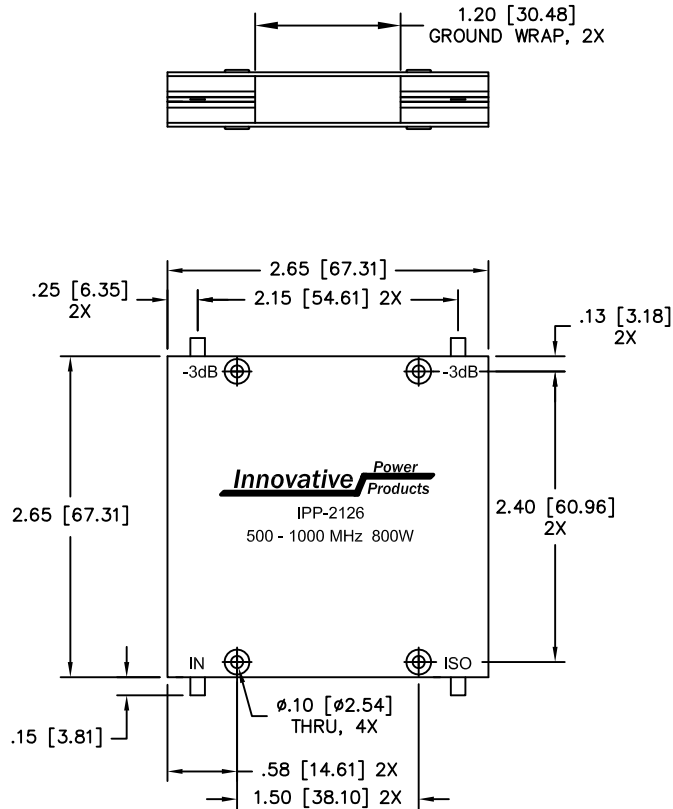


UNAUTHORIZED USE OF THIS  
DRAWING IS STRICTLY PROHIBITED

DAR	REV	DESCRIPTION	APPVD	DATE
1522	A	INITIAL RELEASE	DG	9-08
1547	B	.22 WAS .21, .45 WAS .42	DG	9-08



**NOTES**

1. LEAD: 99.99% PURE SILVER  
.120 WIDE x .005 THICK
2. DIMENSIONS: IN [mm]
3. SEE 90° APPLICATION  
NOTE FOR FURTHER  
INFORMATION.
4. RoHS COMPLIANT.

**ELECTRICAL SPECIFICATIONS**

FREQUENCY: 500 - 1000 MHz.  
 INSERTION LOSS: < 0.20 dB  
 VSWR: < 1.25:1  
 ISOLATION: > 20 dB  
 AMPLITUDE BALANCE: ±0.50 dB  
 PHASE BALANCE: ±5°  
 POWER: 800 WATT  
 TEMPERATURE: -55°C TO 85°C

MATERIAL AL. ALLOY, 6061-T6	DWN DG	DATE 8-08	<b>Innovative Power Products</b>		
	ENG TJD	DATE 8-08			
FINISH CHEM FILM, CLEAR, CLASS 3, RoHS COMPLIANT	MANUF TP	DATE 8-08	TITLE OUTLINE, COUP., 90°, 500 - 1000 MHz. 800W		
	CAGE CODE: 437R2		SIZE P/N		
TOLERANCE IN [MM]	.xx ±.02 [.50] .xxx ±.005 [.127] ANG. ±1/2°	SHEET OF 1 1	SCALE 1:1	IPP-2126	
				REV. B	