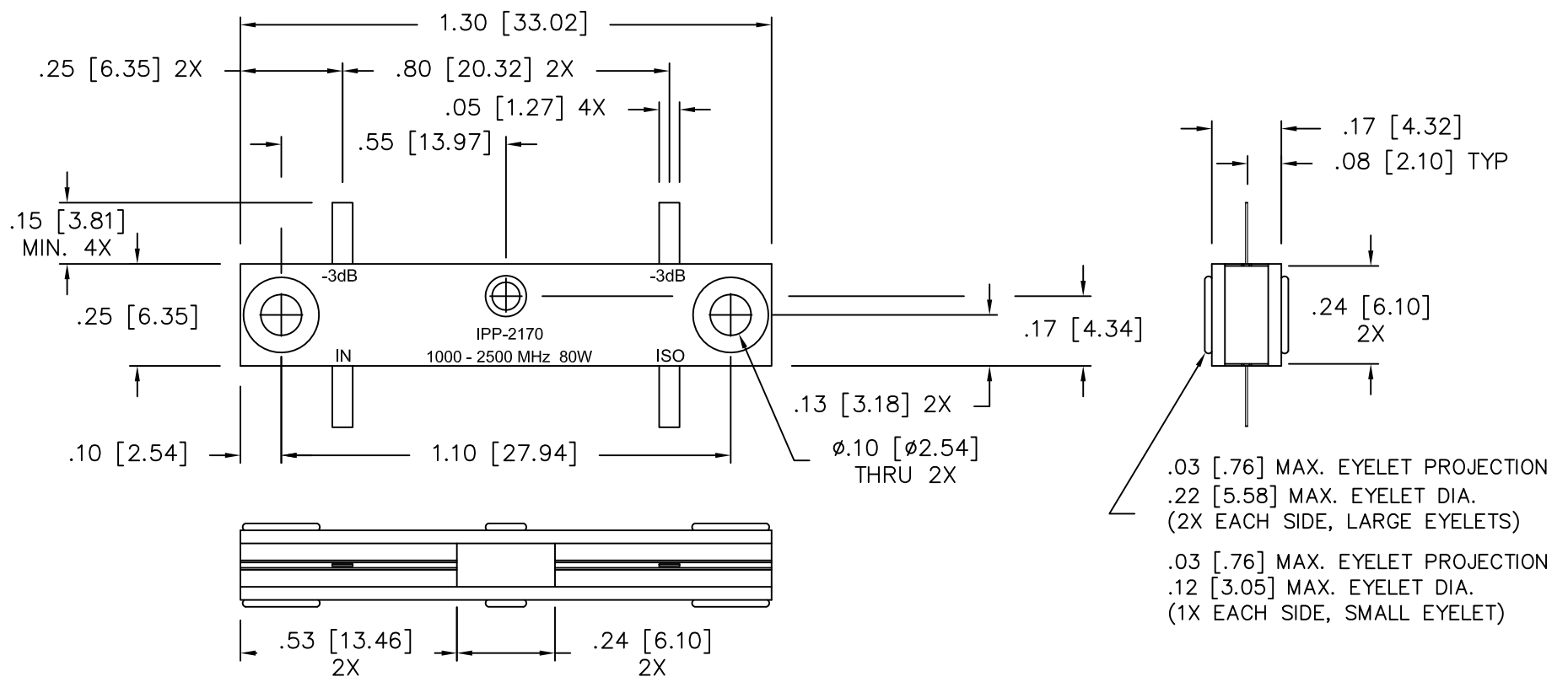


UNAUTHORIZED USE OF THIS
DRAWING IS STRICTLY PROHIBITED

DAR	REV	DESCRIPTION	APPVD	DATE
1997	A	INITIAL RELEASE	DG	8-09



ELECTRICAL SPECIFICATIONS

FREQUENCY:	1000 - 2500 MHz.
INSERTION LOSS:	< 0.25 dB
VSUR:	$< 1.25:1$
ISOLATION:	> 19 dB
AMPLITUDE BALANCE:	± 0.65 dB
PHASE BALANCE:	$\pm 5^\circ$
POWER:	80 WATT
TEMPERATURE:	-55°C TO 85°C
NO DAMAGE:	ANY SOURCE/LOAD VSWR

NOTES

- LEAD MATERIAL:
99.99% PURE SILVER
.005" THICK
- SEE 90° APPLICATION NOTE FOR FURTHER INFORMATION.
- RoHS COMPLIANT.

MATERIAL AL. ALLOY, 6061-T6	DWN S.Cornell	DATE 4-28-09			
	ENG TJD	DATE 4-28-09			
FINISH CHEM FILM, CLEAR, PER MIL-DTL-5541, TYPE 2, REV. F, CLASS 3 (ROHS COMPLIANT)	MANUF RR	DATE 4-28-09	TITLE OUTLINE, COUP., 90°, 1000 - 2500 MHz. 80W		
	CAGE CODE: 437R2		SIZE B	P/N IPP-2170	REV. A
TOLERANCE IN [MM]	.xx \pm .02 [.50] .xxx \pm .005 [.127] ANG. $\pm 1/2^\circ$	SHEET 1 OF 1	SCALE 4:1		