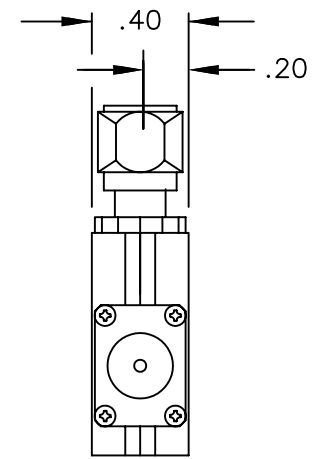
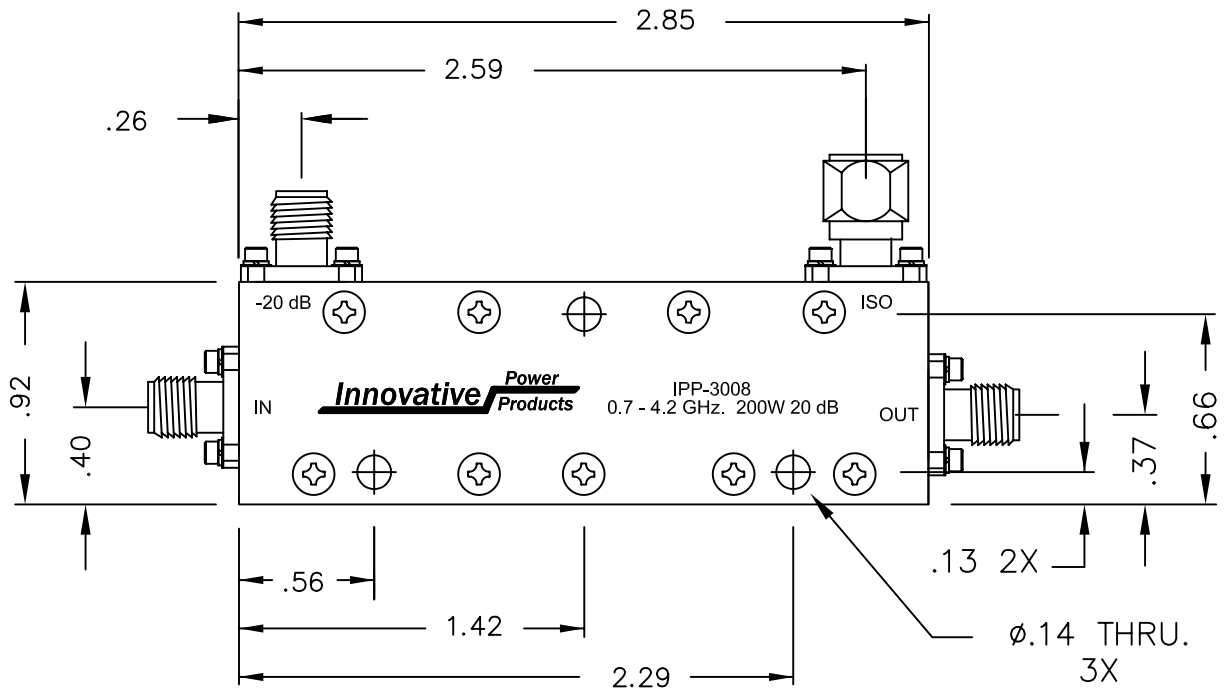


UNAUTHORIZED USE OF THIS
DRAWING IS STRICTLY PROHIBITED

DAR	REV	DESCRIPTION	APPVD	DATE
1153	A	INITIAL RELEASE	TJD	7-06
1167	B	REDUCE SIZE	TJD	8-06
1228	C	MODIFY CONNECTORS	TJD	11-06



ELECTRICAL SPECIFICATIONS

FREQUENCY: 0.7 - 4.2 GHz.
 INSERTION LOSS: 0.35 dB MAX.
 VSWR: 1.25:1 MAX.
 NOMINAL COUPLING: 20.0 ±1.0 dB
 DIRECTIVITY: 18 dB MIN.
 COUPLED FLATNESS: ±1.0 dB MAX.
 POWER: 200 WATT

NOTES

- CONNECTOR TYPE SMA FEMALE (4 PLACES)

MATERIAL	AL. ALLOY	DWN	DG	DATE	7-06	
	6061-T651	ENG	TJD	DATE	7-06	
FINISH	CHEM FILM	MANUF	TP	DATE	7-06	TITLE
	CLEAR IRRIDITE	CAGE CODE: 437R2			OUTLINE	
TOLERANCE	.XX ±.02	SHEET	OF	SCALE	4:1	P/N
	.XXX ±.005					
	ANG. ±1/2°	1	1			IPP-3008
						REV.
						C