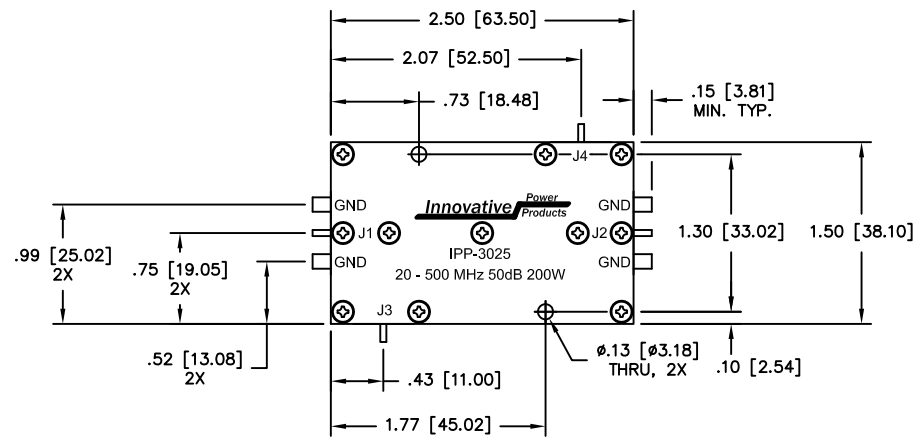


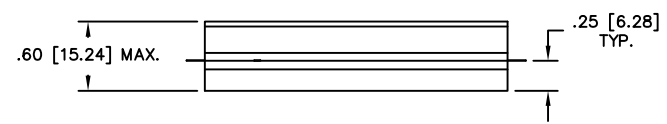
UNAUTHORIZED USE OF THIS
DRAWING IS STRICTLY PROHIBITED

DAR	REV	DESCRIPTION	APPVD	DATE
1372	A	INCREASED THICKNESS, ADDED METRIC DIMS	TJD	11-07



NOTES

- J1 - J4: 0.050 X 0.005 SILVER TABS
GND: 0.120 X 0.005 SILVER TABS



ELECTRICAL SPECIFICATIONS

- FREQUENCY: 20 - 500 MHz.
- INSERTION LOSS: <0.25dB
- VSWR: <1.25:1
- COUPLING: 50.0 ±1.0dB
- DIRECTIVITY: > 20dB
- COUPLED FLATNESS: ±0.50dB
- POWER: 200 WATT

MATERIAL AL. ALLOY 6061-T651	DWN DG	DATE 8-07	Innovative <i>Power</i> Products
	ENG TJD	DATE 8-07	
FINISH CHEM FILM CLEAR IRRIDITE	MANUF TP	DATE 8-07	TITLE DUAL DIRECTIONAL COUPLER 20 - 500 MHz. 200 WATT, 50 dB
	CAGE CODE: 437R2		P/N IPP-3025
TOLERANCE .XX ±.02 .XXX ±.010 ANG. ±1/2°	SHEET OF 1 1	SCALE 1:1	