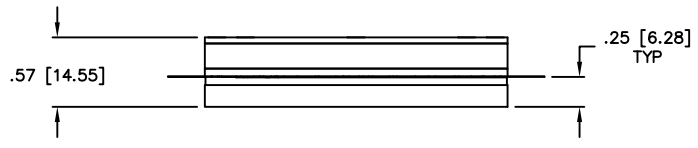
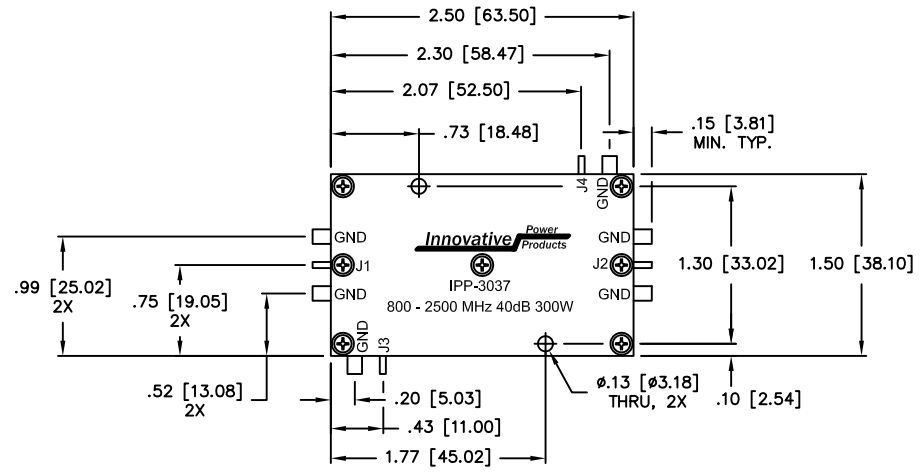


UNAUTHORIZED USE OF THIS  
DRAWING IS STRICTLY PROHIBITED

DAR	REV	DESCRIPTION	APPVD	DATE
1453	A	INITIAL RELEASE	DG	6-08
1803	B	SEE DAR	DG	4-09



- J1: INPUT
- J2: OUTPUT
- J3: -40dB (FWD COUPLED)
- J4: -40dB (REFL. COUPLED)

**NOTES**

- 1. J1 - J4: 0.050 X 0.005 SILVER TABS  
GND: 0.120 X 0.005 SILVER TABS

**ELECTRICAL SPECIFICATIONS**

- FREQUENCY: 800 - 2500 MHz.
- INSERTION LOSS: <0.25dB
- VSWR: <1.25:1
- COUPLING: 40.0 ±1.0dB
- DIRECTIVITY: > 18dB
- COUPLED FLATNESS: ±0.50dB
- POWER: 300 WATT
- TEMPERATURE: -55°C TO 85°C

MATERIAL	AL. ALLOY	DWN	DG	DATE	12-07	<b>Innovative Power Products</b>
	6061-T651	ENG	TJD	DATE	12-07	
FINISH	CHEM FILM CLEAR	MANUF	TP	DATE	12-07	TITLE
	PER MIL-DTL-5541, TYPE 2, REV F, CLASS 3 ROHS COMPLIANT					
TOLERANCE	.XX ±.02	CAGE CODE: 437R2			P/N	IPP-3037
	.XXX ±.010	SHEET	OF	SCALE		
	ANG. ±1/2°	1	1	1:1		REV.
						B