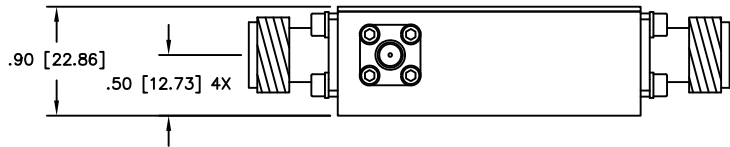
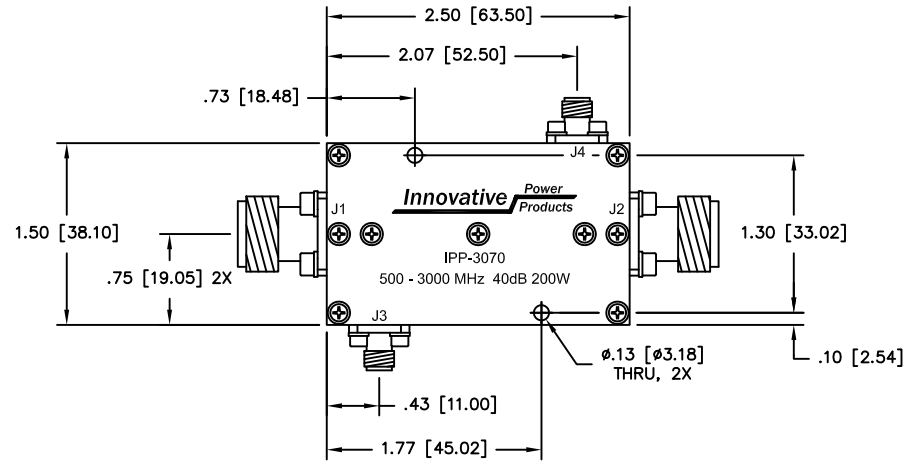


UNAUTHORIZED USE OF THIS
DRAWING IS STRICTLY PROHIBITED

DAR	REV	DESCRIPTION	APPVD	DATE
1652	A	INITIAL RELEASE	DG	12-08



J1: INPUT
 J2: OUTPUT
 J3: -40dB (FWD COUPLED)
 J4: -40dB (REFL. COUPLED)

NOTES

- CONNECTOR TYPE J1 - J2: TYPE "N" FEMALE
 J3 - J4: TYPE "SMA" FEMALE

ELECTRICAL SPECIFICATIONS

FREQUENCY:	500 - 3000 MHz.
INSERTION LOSS:	<0.35dB
VSWR:	<1.25:1
COUPLING:	40.0 ±1.0dB
DIRECTIVITY:	>18dB
COUPLED FLATNESS:	±0.50dB
POWER:	200 WATT

MATERIAL	AL. ALLOY 6061-T651	DWN DG	DATE 9-26-08	Innovative <i>Power</i> Products					
	FINISH	CHEM FILM CLEAR IRRIDITE	ENG TJD		DATE 9-26-08				
TOLERANCE		.XX ±.02 .XXX ±.005 ANG. ±1/2"	MANUF TP		DATE 9-26-08	TITLE	DUAL DIRECTIONAL COUPLER 500 - 3000 MHz. 200 WATT, 40 dB		
			CAGE CODE: 437R2		SIZE	P/N	IPP-3070	REV.	A
		SHEET	OF	SCALE					
		1	1	1:1					