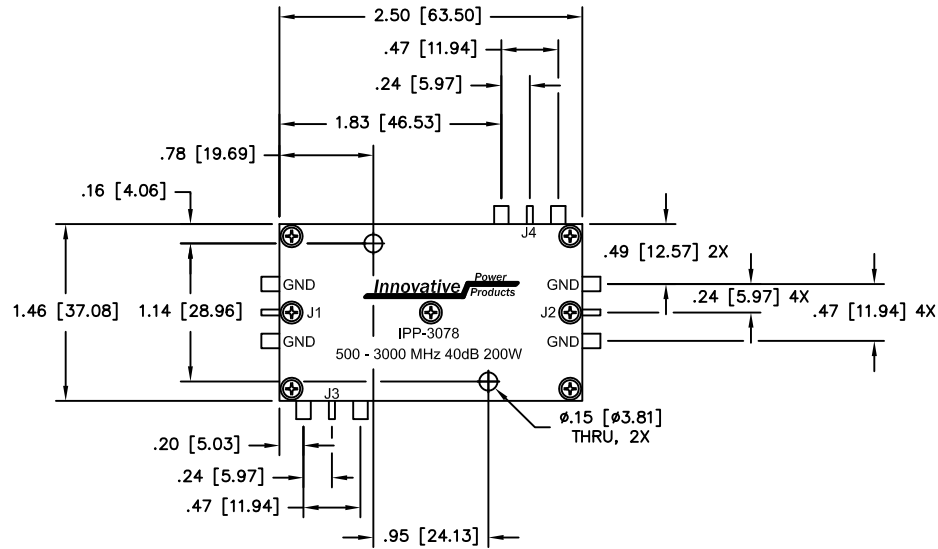


UNAUTHORIZED USE OF THIS
DRAWING IS STRICTLY PROHIBITED

DAR	REV	DESCRIPTION	APPVD	DATE
1695	A	INITIAL RELEASE	DG	1-09
1928	B	SEE DAR	DG	6-09

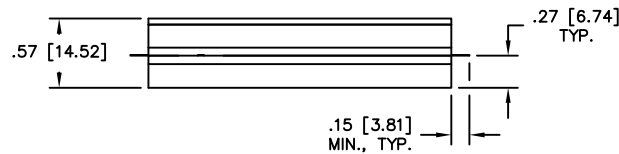


NOTES

- J1 - J4: 0.050 X 0.005 SILVER TABS
GND: 0.120 X 0.005 SILVER TABS

ELECTRICAL SPECIFICATIONS

FREQUENCY:	500 - 3000 MHz.
INSERTION LOSS:	<0.35dB
VSWR:	<1.25:1
COUPLING:	40.00 ±1.0dB
DIRECTIVITY:	> 16dB
COUPLED FLATNESS:	±0.75dB
POWER:	200 WATT
TEMPERATURE:	-55°C TO 80°C



J1: INPUT
J2: OUTPUT
J3: -40dB (FWD COUPLED)
J4: -40dB (REFL. COUPLED)

MATERIAL AL. ALLOY 6061-T651	DWN DG	DATE 12-10-08	Innovative <i>Power</i> Products		
	ENG TJD	DATE 12-10-08			
FINISH CHEM FILM CLEAR PER MIL-DTL-5541, TYPE 2, REV F, CLASS 3, ROHS COMPLIANT	MANUF RR	DATE 12-10-08	TITLE DUAL DIRECTIONAL COUPLER 500 - 3000 MHz. 200 WATT, 40 dB		
	CAGE CODE: 437R2				
TOLERANCE .XX ±.02 .XXX ±.010 ANG. ±1/2°	SHEET OF 1 1	SCALE 1:1	SIZE B	P/N IPP-3078	REV. B