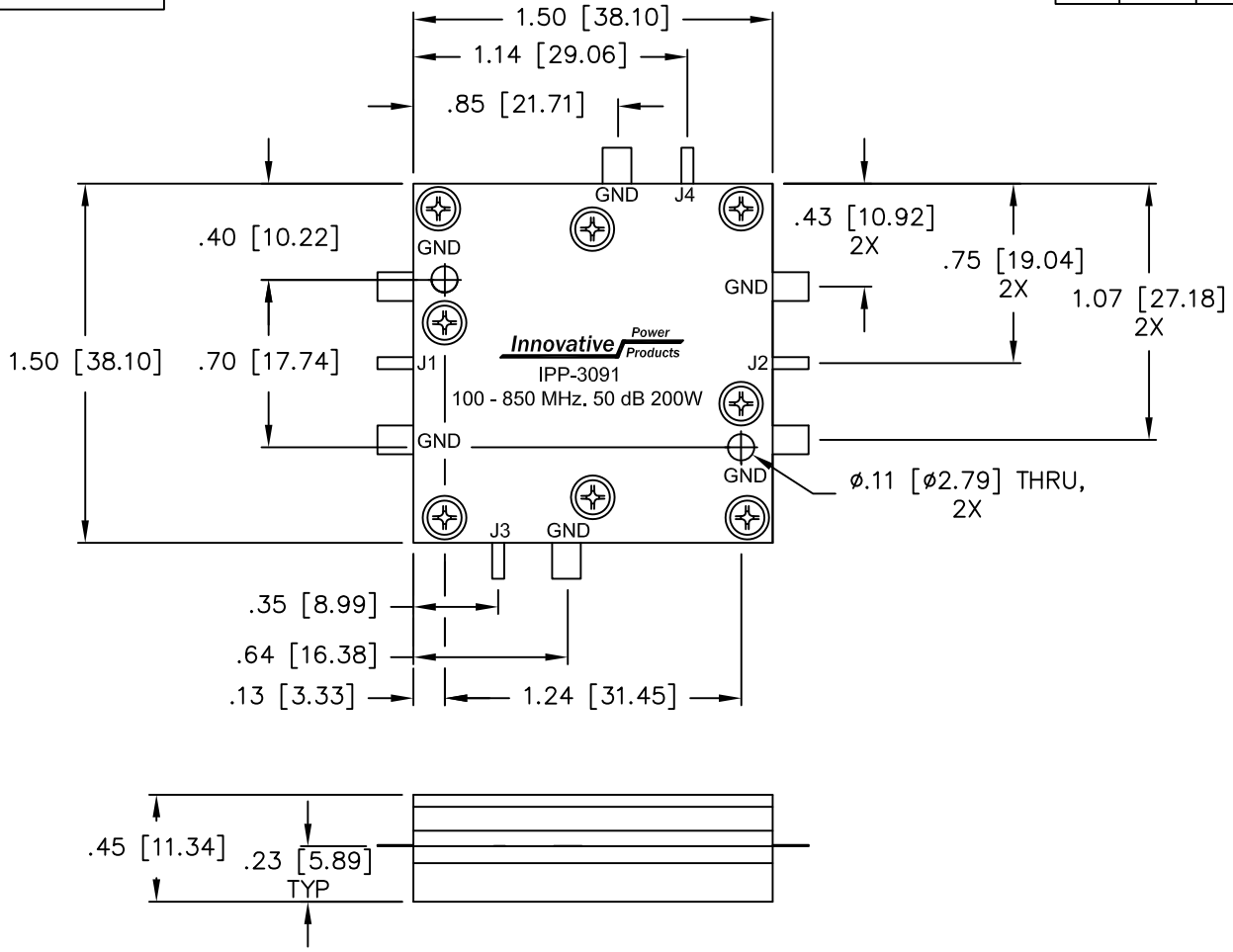


UNAUTHORIZED USE OF THIS  
DRAWING IS STRICTLY PROHIBITED

DAR	REV	DESCRIPTION	APPVD	DATE
1875	A	INITIAL RELEASE	DG	5-09



**NOTES**

- J1, J2: 0.050 X 0.005 SILVER TABS  
J3, J4: 0.050 X 0.005 SILVER TABS  
GND: 0.120 X 0.005 SILVER TABS  
ALL TABS 0.15 MIN. LONG.

**ELECTRICAL SPECIFICATIONS**

FREQUENCY:	100 – 850 MHz.
INSERTION LOSS:	<0.25 dB
VSWR:	<1.25:1
COUPLING:	50.0 dB ±1.5 dB
COUPLED FLATNESS:	±0.50 dB
DIRECTIVITY:	>20 dB
POWER:	200 WATT
TEMPERATURE:	-55°C TO 85°C

J1: INPUT  
J2: OUTPUT  
J3: -50dB (FWD COUPLED)  
J4: -50dB (REFL. COUPLED)

MATERIAL AL. ALLOY 6061-T651	DWN DG	DATE 5-09	<b>Innovative Power Products</b>		
	ENG TJD	DATE 5-09			
FINISH CHEM FILM CLEAR PER MIL-DTL-5541, TYPE 2, REV F, CLASS 3 ROHS COMPLIANT	MANUF RR	DATE 5-09	TITLE DUAL DIRECTIONAL COUPLER 100 - 850 MHz, 200 WATT, 50 dB		
	TOLERANCE .xxx ±.005 [.127] IN [MM] .xx ±.02 [.50] ANG. ±1/2'		CAGE CODE: 437R2	SIZE B	P/N IPP-3091
SHEET OF 1 1		SCALE 2:1			