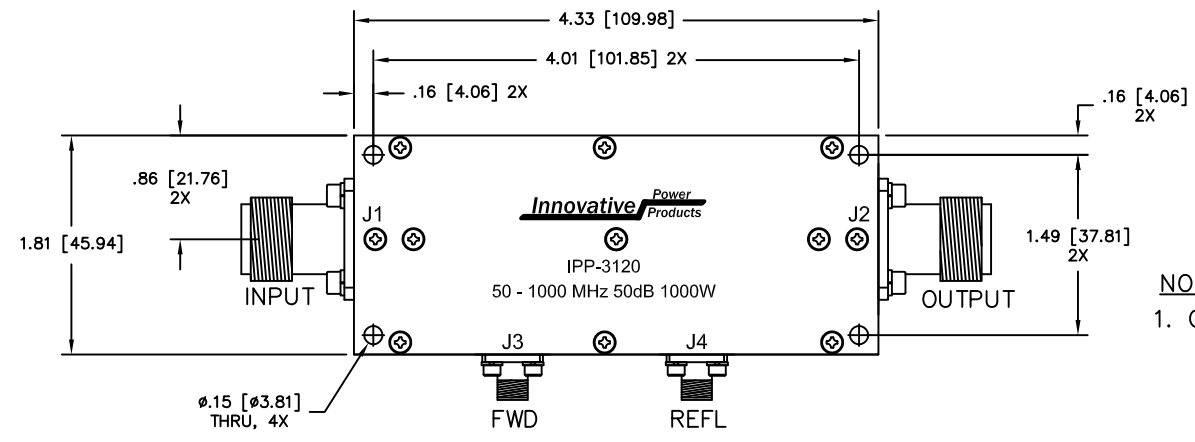


UNAUTHORIZED USE OF THIS
DRAWING IS STRICTLY PROHIBITED

DAR	REV	DESCRIPTION	APPVD	DATE
2450	1	PRE-RELEASE	DG	7-10

PRELIMINARY
DIMENSIONS AND SPECIFICATIONS
ARE SUBJECT TO CHANGE UNTIL
INITIAL RELEASE OF DRAWING.

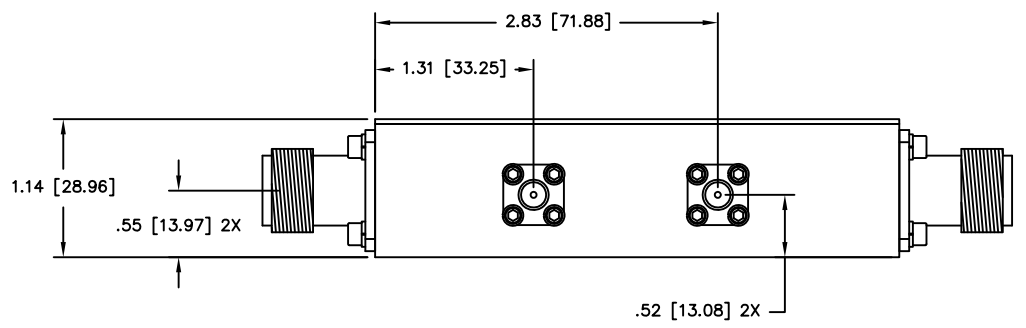


NOTES

- CONNECTOR TYPE J1: TYPE "SC" FEMALE (INPUT)
J2: TYPE "SC" FEMALE (OUTPUT)
J3: TYPE "SMA" FEMALE (FWD COUPLED)
J4: TYPE "SMA" FEMALE (REFL COUPLED)

ELECTRICAL SPECIFICATIONS

- FREQUENCY: 50 - 1000 MHz.
- INSERTION LOSS: <0.30 dB
- VSWR: <1.25:1
- COUPLING: 50.0dB ±1.0dB
- DIRECTIVITY: >20dB
- COUPLED FLATNESS: ±0.60dB
- POWER: 1000 WATT



MATERIAL AL. ALLOY 6061-T651	DWN S.Cornell	DATE 4-27-10				
	ENG DG	DATE 7-10				
FINISH CHEM FILM CLEAR PER MIL-DTL-5541, TYPE 2, REV F, CLASS 3 ROHS COMPLIANT	MANUF	DATE	TITLE DUAL DIRECTIONAL COUPLER 50 - 1000 MHz, 1000 WATT, 50 dB			
	CAGE CODE: 437R2					
TOLERANCE .XX ±.02 .XXX ±.010 ANG. ±1/2°	SHEET 1	OF 1	SCALE 1:1	SIZE B	P/N IPP-3120	REV. 1