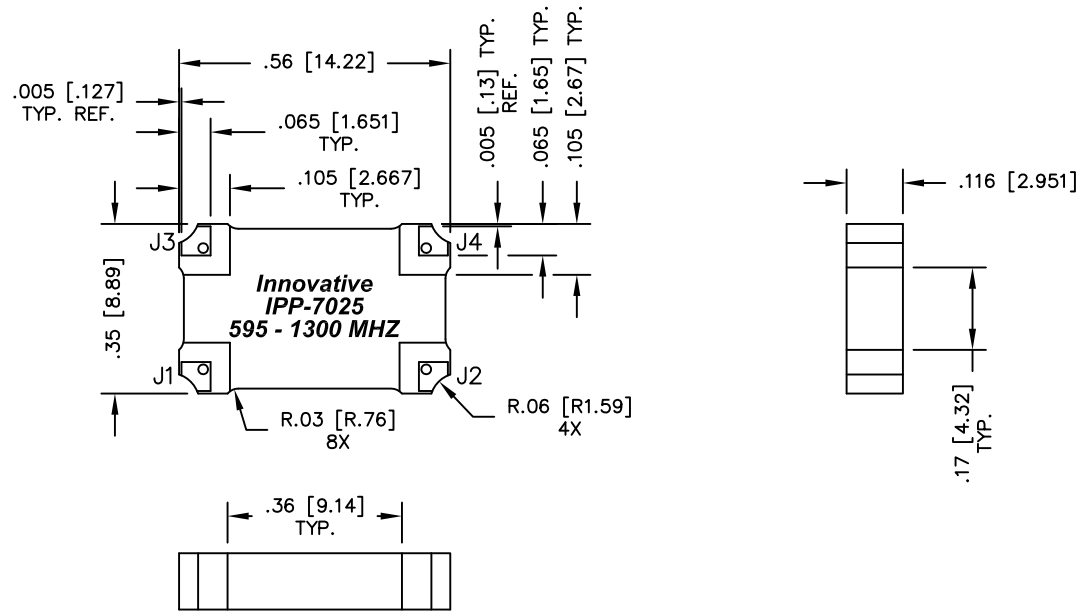


UNAUTHORIZED USE OF THIS
DRAWING IS STRICTLY PROHIBITED

DAR	REV	DESCRIPTION	APPVD	DATE
2106	A	INITIAL RELEASE	DG	10-09
2379	B	SEE DAR	TJD	3-10



FINISH	
P/N	TYPE
IPP-7025	TIN/LEAD
IPP-7025RT	RoHS MATTE TIN
IPP-7025RG	RoHS NICKEL GOLD

- NOTES:**
1. SEE SMD COUPLER APPLICATION NOTE FOR FURTHER INFORMATION.
 2. PARTS WITH RoHS MATT TIN AND RoHS NICKEL GOLD FINISHES ARE RoHS COMPLIANT.
 3. AVAILABLE IN TAPE AND REEL. SEE SMD COUPLER APPLICATION NOTE FOR FURTHER INFORMATION.

ELECTRICAL SPECIFICATIONS

FREQUENCY: 595 - 1300 MHz.
 INSERTION LOSS: <0.25 dB
 VSWR: <1.30:1
 ISOLATION: >17 dB
 AMPLITUDE BALANCE: ±0.65 dB
 PHASE BALANCE: ±5°
 POWER: 100 WATT
 TEMPERATURE: -55°C TO 85°C

PORT CONFIGURATION				
INPUT	J1	J2	J3	J4
J1	---	ISOLATION	-3dB<0 DEG	-3dB<-90 DEG
J2	ISOLATION	---	-3dB<-90 DEG	-3dB<0 DEG
J3	-3dB<0 DEG	-3dB<-90 DEG	---	ISOLATION
J4	-3dB<-90 DEG	-3dB<0 DEG	ISOLATION	---

MATERIAL	DWN DG	DATE 9-09			
	ENG TJD	DATE 9-09			
FINISH SEE FINISH CHART	MANUF TP	DATE 9-09	TITLE OUTLINE		
	CAGE CODE: 437R2		SMD COUPLER, 90°, 595 - 1300 MHz. 100W		
TOLERANCE	SHEET OF 1 1		SCALE 4:1	SIZE B	P/N IPP-7025*
IN [MM]	.XX ±.02 [.50] .XXX ±.010 [.254] ANG. ±1/2°				REV. B