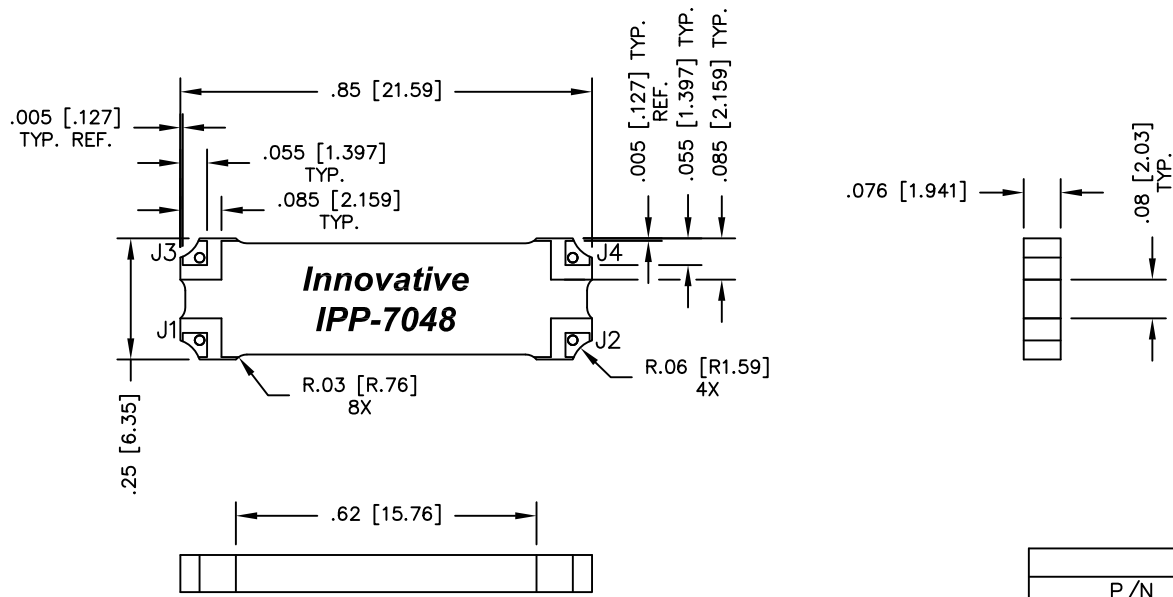


UNAUTHORIZED USE OF THIS
DRAWING IS STRICTLY PROHIBITED

| DAR | REV | DESCRIPTION | APPVD | DATE |
|------|-----|-----------------|-------|------|
| 2376 | A | INITIAL RELEASE | DG | 3-10 |



- NOTES:**
1. SEE SMD COUPLER APPLICATION NOTE FOR FURTHER INFORMATION.
 2. PARTS WITH RoHS MATT TIN AND RoHS NICKEL GOLD FINISHES ARE RoHS COMPLIANT.
 3. AVAILABLE IN TAPE AND REEL. SEE SMD COUPLER APPLICATION NOTE FOR FURTHER INFORMATION.

| FINISH | |
|------------|------------------|
| P/N | TYPE |
| IPP-7048 | TIN/LEAD |
| IPP-7048RT | RoHS MATTE TIN |
| IPP-7048RG | RoHS NICKEL GOLD |

ELECTRICAL SPECIFICATIONS

FREQUENCY: 800 - 1600 MHz.
 INSERTION LOSS: <0.25 dB
 VSWR: <1.25:1
 ISOLATION: >19dB
 AMP BAL: ±0.55dB
 PHASE BALANCE: ±5°
 POWER: 200 WATT
 TEMPERATURE: -55°C TO 85°C

| PORT CONFIGURATION | | | | |
|--------------------|--------------|--------------|--------------|--------------|
| INPUT | J1 | J2 | J3 | J4 |
| J1 | --- | ISOLATION | -3dB<0 DEG | -3dB<-90 DEG |
| J2 | ISOLATION | --- | -3dB<-90 DEG | -3dB<0 DEG |
| J3 | -3dB<0 DEG | -3dB<-90 DEG | --- | ISOLATION |
| J4 | -3dB<-90 DEG | -3dB<0 DEG | ISOLATION | --- |

| | | | | | | |
|------------------|-------------------|--------------|---|--------|---------------|--------|
| MATERIAL | DWN S.Cornell | DATE 3-18-10 | Innovative <i>Power</i> Products | | | |
| FINISH | ENG DG | DATE 3-10 | | | | |
| SEE FINISH CHART | MANUF | DATE | TITLE OUTLINE | | | |
| TOLERANCE | CAGE CODE: 437R2 | | SMD COUPLER, 90°, 800 - 1600 MHz. 200W | | | |
| IN [MM] | .XX ±.02 [.50] | SHEET OF 1 1 | SCALE 4:1 | SIZE B | P/N IPP-7048* | REV. A |
| | .XXX ±.010 [.254] | | | | | |
| | ANG. ±1/2° | | | | | |