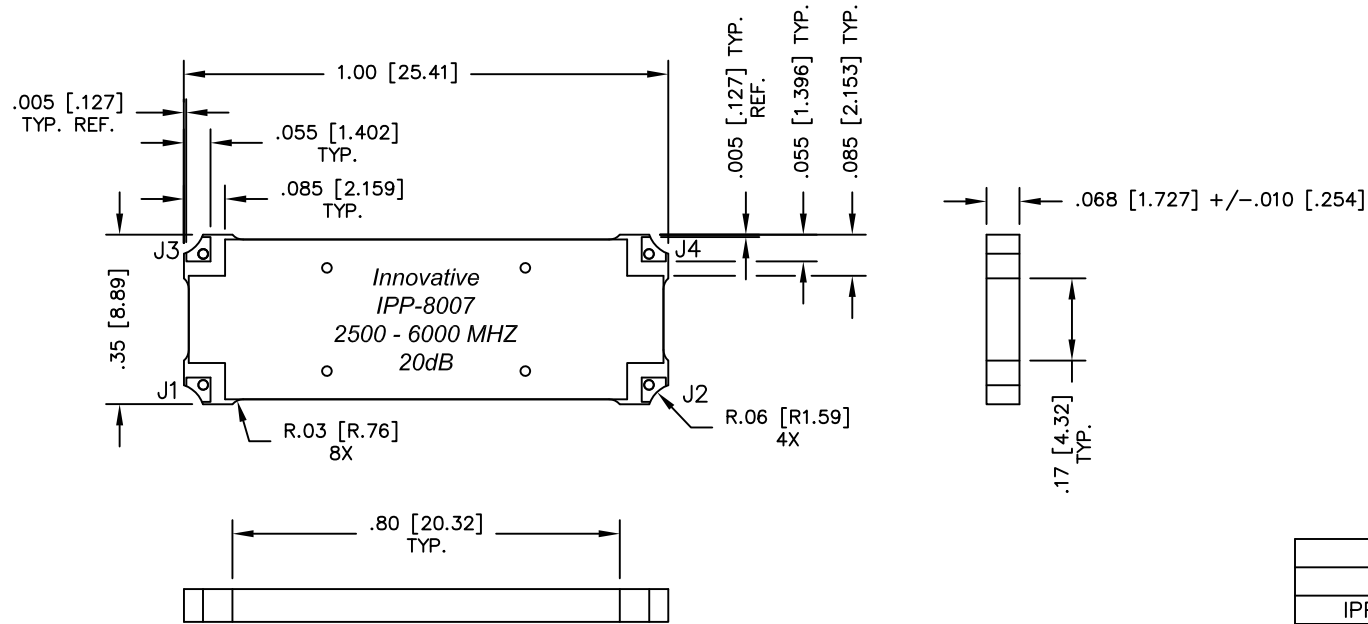


UNAUTHORIZED USE OF THIS
DRAWING IS STRICTLY PROHIBITED

DAR	REV	DESCRIPTION	APPVD	DATE
2011	A	INITIAL RELEASE	DG	8-09



FINISH	
P/N	TYPE
IPP-8007	TIN/LEAD
IPP-8007RT	RoHS MATTE TIN
IPP-8007RG	RoHS NICKEL GOLD

NOTES:

1. SEE SMD COUPLER APPLICATION NOTE FOR FURTHER INFORMATION.
2. PARTS WITH RoHS MATT TIN AND RoHS NICKEL GOLD FINISHES ARE RoHS COMPLIANT.
3. AVAILABLE IN TAPE AND REEL. SEE SMD COUPLER APPLICATION NOTE FOR FURTHER INFORMATION.

ELECTRICAL SPECIFICATIONS

FREQUENCY: 2500 – 6000 MHz.
 INSERTION LOSS: <0.40 dB
 VSWR: <1.35:1
 COUPLING: 20dB ±0.5 dB
 DIRECTIVITY: >14 dB
 COUPLED FLATNESS: <±0.5 dB
 POWER: 100 WATT
 TEMPERATURE: –55°C TO 85°C

PORT CONFIGURATION			
INPUT	OUTPUT	FORWARD COUPLED	REFLECTED COUPLED
J1	J2	J3	J4 ADD 50Ω TERMINATION
J1	J2	J3 ADD 50Ω TERMINATION	J4
J2	J1	J4	J3 ADD 50Ω TERMINATION
J2	J1	J4 ADD 50Ω TERMINATION	J3

MATERIAL	DWN S.Cornell	DATE 8-7-09	Innovative <i>Power</i> Products			
FINISH	ENG TJD	DATE 8-7-09				
SEE FINISH CHART	MANUF RR	DATE 8-7-09	TITLE OUTLINE, SMD COUPLER			
TOLERANCE	CAGE CODE: 437R2		SINGLE DIRECTIONAL, 2500 - 6000 MHz. 20dB 100W			
IN [MM]	.XX ±.02 [.50] .XXX ±.010 [.254] ANG. ±1/2°	SHEET OF 1 1	SCALE 4:1	SIZE B	P/N IPP-8007	REV. A