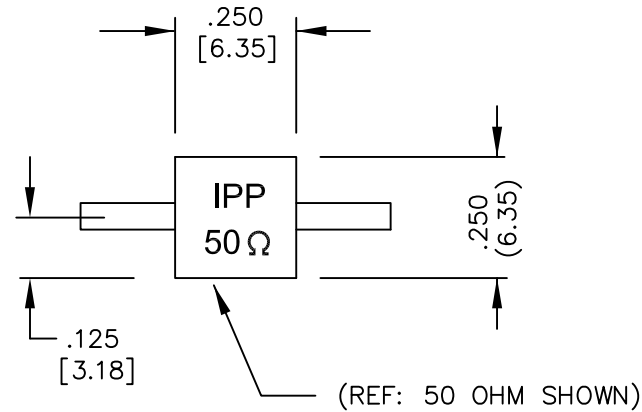
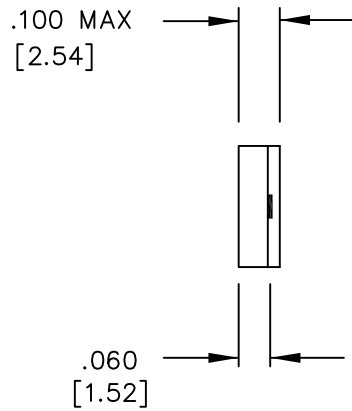


UNAUTHORIZED USE OF THIS
DRAWING IS STRICTLY PROHIBITED

DAR	REV	DESCRIPTION	APPVD	DATE
1148	A	INITIAL RELEASE	TP	7-06
1322	B	CHANGE POWER TO 100 WATTS	TP	8-07



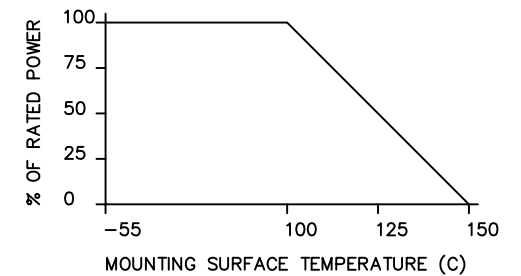
NOTES

1. LEAD MATERIAL:
99.99% PURE SILVER,
.040 WIDE x .005 THICK
2. LEAD LENGTH: .150 MIN.
3. SUBSTRATE MATERIAL: BeO
COVER MATERIAL: Al₂O₃
4. DIMENSIONS: INCHES, [mm]

ELECTRICAL SPECIFICATIONS

INPUT POWER: 100 WATT
 FREQUENCY: DC - 4.0 GHZ.
 CAPACITANCE: 1.2 pF

POWER DERATING CURVE



PART NO.	VALUE	TOLERANCE
IPP-RB103-25	25 OHMS	+/- 5%
IPP-RB103-50	50 OHMS	+/- 5%
IPP-RB103-75	75 OHMS	+/- 5%
IPP-RB103-100	100 OHMS	+/- 5%

MATERIAL [3]	DWN DG	DATE 7-06	
	ENG TJD	DATE 7-06	
FINISH ---	MANUF TP	DATE 7-06	TITLE RESISTOR, 100 WATT, FLANGELESS,
	CAGE CODE: 437R2		P/N IPP-RB103-XXX
TOLERANCE IN [MM]	.XX ±.02 [.50] .XXX ±.010 [.254]	SHEET OF 1 1	
			REV. B