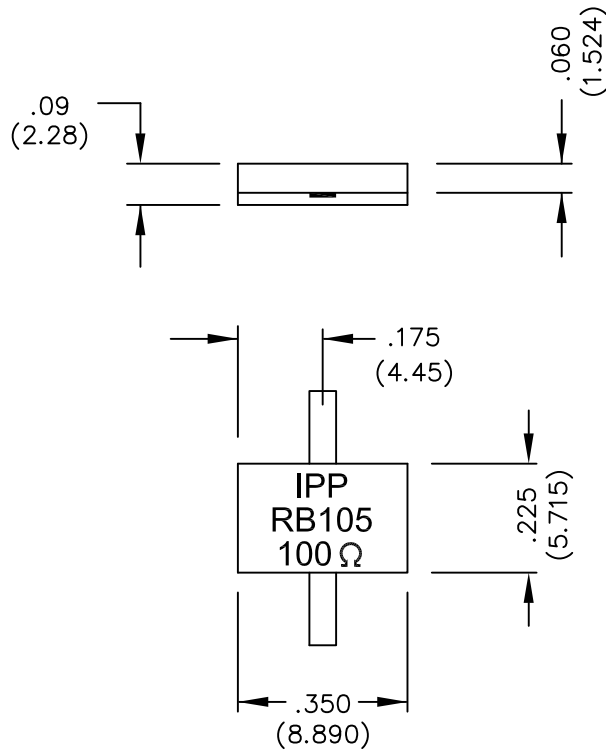


UNAUTHORIZED USE OF THIS  
DRAWING IS STRICTLY PROHIBITED

DAR	REV	DESCRIPTION	APPVD	DATE
1263	A	INITIAL RELEASE	TJD	2-07



(REF: 100 OHM VALUE SHOWN)

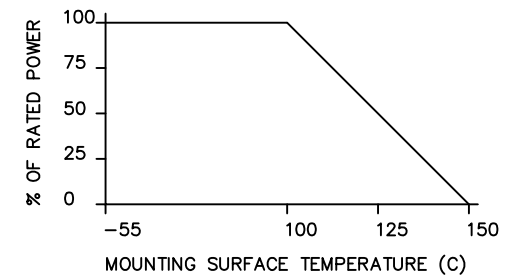
**NOTES**

- LEAD MATERIAL:  
99.99% PURE SILVER,  
.050 WIDE x .005 THICK
- LEAD LENGTH: .150 MIN.
- 3 SUBSTRATE MATERIAL: BeO  
COVER MATERIAL: Al<sub>2</sub>O<sub>3</sub>
- DIMENSIONS: INCHES, [mm]

ELECTRICAL SPECIFICATIONS

INPUT POWER: 125 WATT  
 FREQUENCY: DC - 3.0 GHz.  
 CAPACITANCE: 1.5 pF

POWER DERATING CURVE



PART NO.	VALUE	TOLERANCE
IPP-RB105-50	50 OHMS	+/- 5%
IPP-RB105-100	100 OHMS	+/- 5%

MATERIAL <span style="border: 1px solid black; padding: 0 2px;">3</span>	DWN DG	DATE 2-07	<b>Innovative</b> <i>Power</i> <b>Products</b>
	ENG TJD	DATE 2-07	
FINISH ---	MANUF TP	DATE 2-07	TITLE RESISTOR, 125 WATT, FLANGELESS
	CAGE CODE: 437R2		P/N IPP-RB105-XXX
TOLERANCE IN [MM] .XX ±.02 [.50] .XXX ±.010 [.254]	SHEET OF 1 1	SCALE 2:1	REV. A