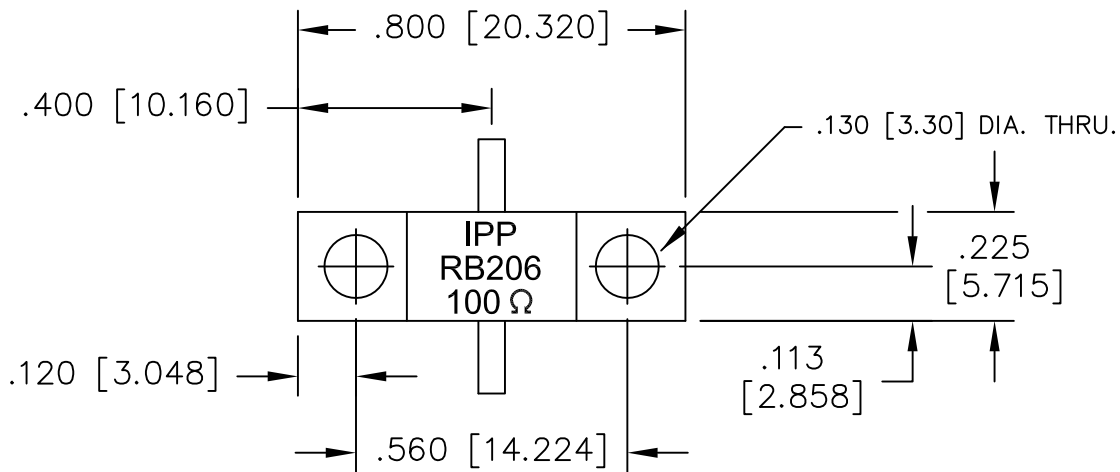
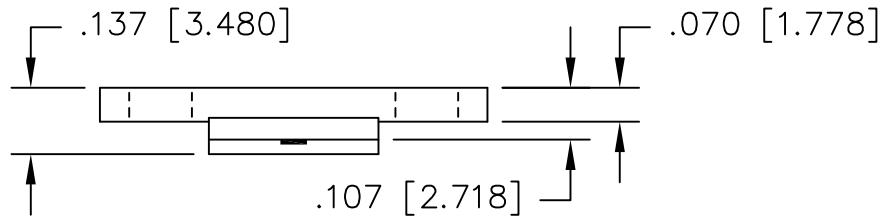


UNAUTHORIZED USE OF THIS
DRAWING IS STRICTLY PROHIBITED

DAR	REV	DESCRIPTION	APPVD	DATE
1263	A	INITIAL RELEASE	TJD	2-07
1322	B	MODIFY FLANGE	TJD	8-07
1544	C	CHANGE LD HEIGHT & HEIGHT DIMS	DG	9-08



(REF: 100 OHM VALUE SHOWN)

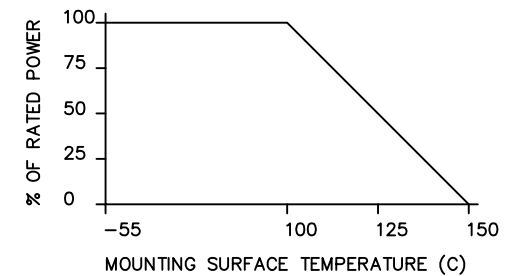
NOTES

- LEAD MATERIAL:
99.99% PURE SILVER,
.050 WIDE x .005 THICK
- LEAD LENGTH: .150 MIN.
- SUBSTRATE MATERIAL: BeO
COVER MATERIAL: Al₂O₃
- FLANGE MATERIAL: COPPER
PLATING: NICKEL
- DIMENSIONS: INCHES, [mm]

ELECTRICAL SPECIFICATIONS

INPUT POWER: 150 WATT
FREQUENCY: DC - 2.0 GHz.
CAPACITANCE: 2.6 pF

POWER DERATING CURVE



PART NO.	VALUE	TOLERANCE
IPP-RB206-50	50 OHMS	+/- 5%
IPP-RB206-100	100 OHMS	+/- 5%

MATERIAL [3] [4]	DWN DG	DATE 2-07	
	ENG TJD	DATE 2-07	
FINISH [4]	MANUF TP	DATE 2-07	TITLE RESISTOR, 150 WATT, FLANGE
	CAGE CODE: 437R2		P/N IPP-RB206-XXX
TOLERANCE IN [MM] .XX ±.02 [.50] .XXX ±.010 [.254]	SHEET OF 1 1	SCALE 2:1	