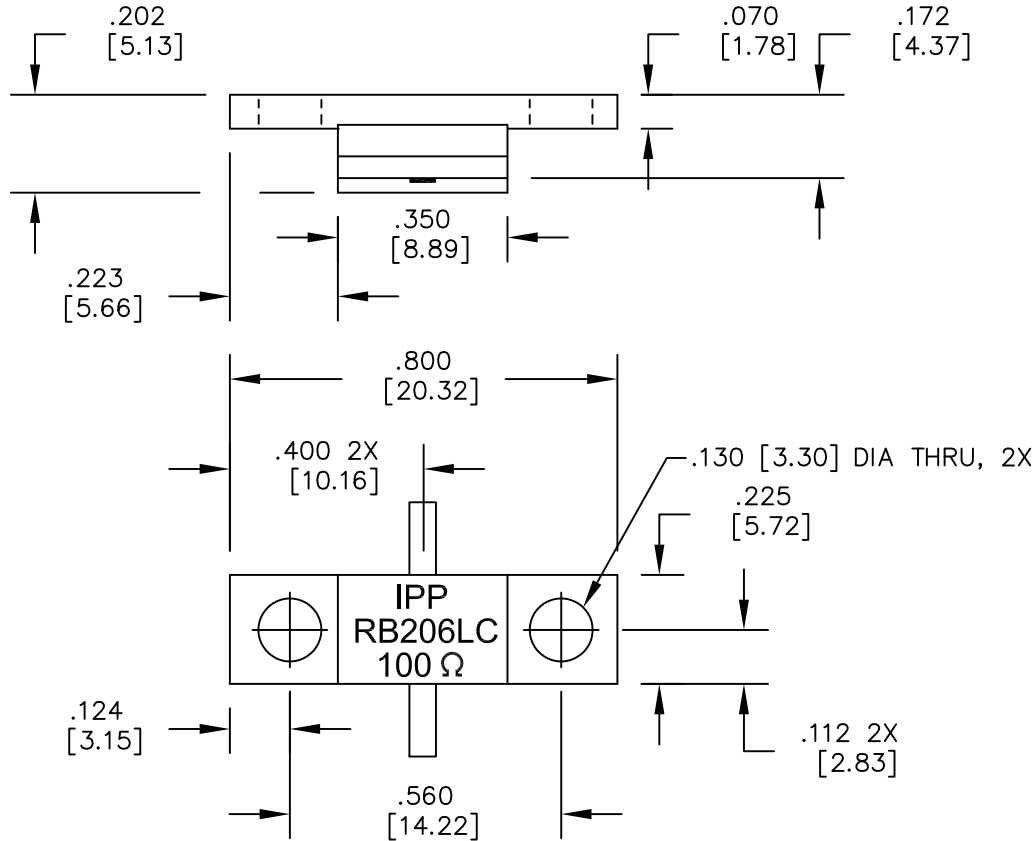


UNAUTHORIZED USE OF THIS
DRAWING IS STRICTLY PROHIBITED

DAR	REV	DESCRIPTION	APPVD	DATE
1484	A	INITIAL RELEASE	DG	9-08
1562	B	CHANGE DIMS TO MULT PLACES	DG	9-08



(REF: 100 OHM VALUE SHOWN)

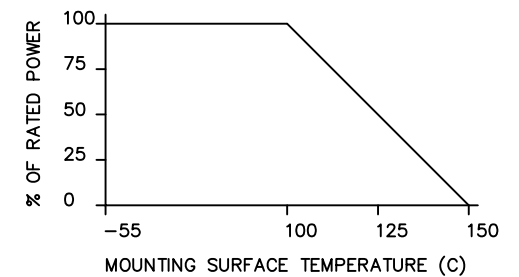
NOTES

- LEAD MATERIAL:
99.99% PURE SILVER,
.050 WIDE x .005 THICK
- LEAD LENGTH: .150 MIN.
- 3 SUBSTRATE MATERIAL: BeO
COVER MATERIAL: Al₂O₃
- 4 FLANGE MATERIAL: COPPER
PLATING: NICKEL
- DIMENSIONS: INCHES, [mm]

ELECTRICAL SPECIFICATIONS

INPUT POWER: 75 WATT
FREQUENCY: DC - 3.0 GHz.
CAPACITANCE: 1.1 pF

POWER DERATING CURVE



PART NO.	VALUE	TOLERANCE
IPP-RB206LC-50	50 OHMS	+/- 5%
IPP-RB206LC-100	100 OHMS	+/- 5%

MATERIAL 3 4	DWN S.Cornel	DATE 7-17-08	
	ENG TJD	DATE 9-18-08	
FINISH 4	MANUF RR	DATE 9-18-08	TITLE RESISTOR, LOW C, 75 WATT, FLANGE
	CAGE CODE: 437R2		P/N IPP-RB206LC-XXX
TOLERANCE IN [MM] .XX ±.02 [.50] .XXX ±.010 [.254]	SHEET OF 1 1	SCALE 4:1	REV. B