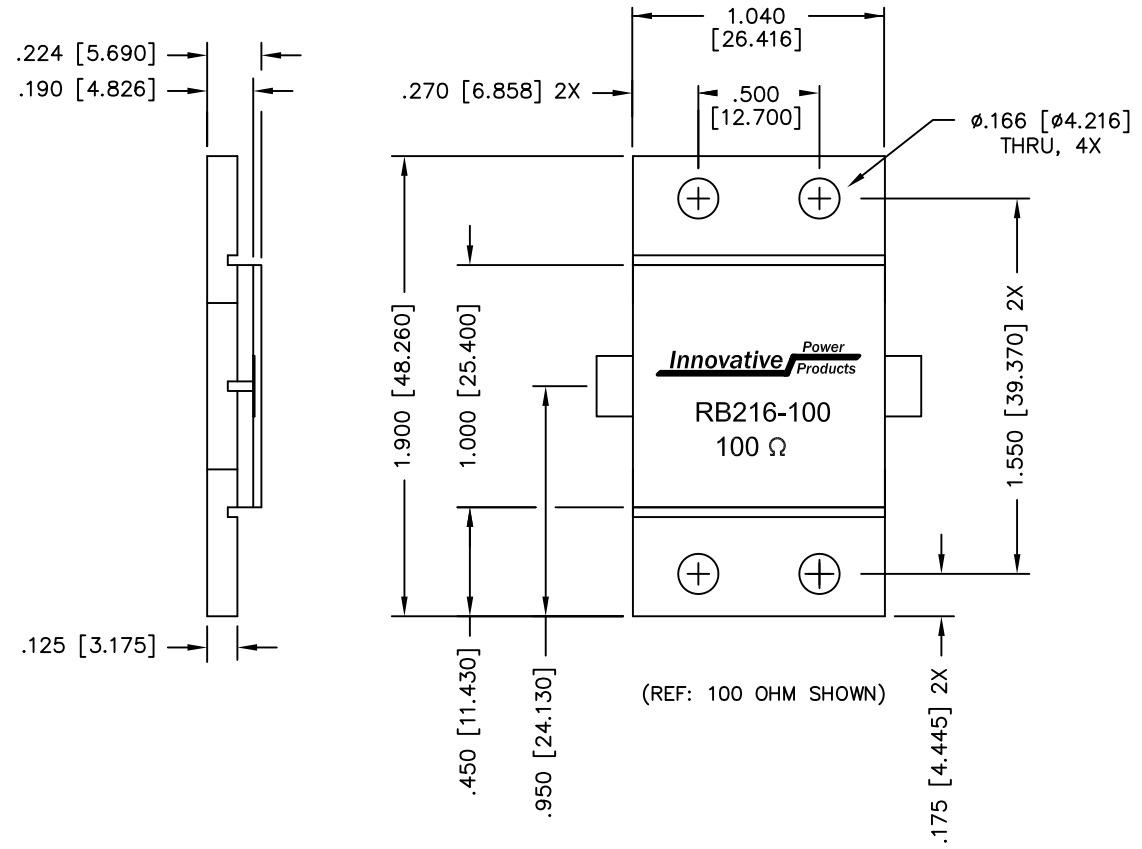


UNAUTHORIZED USE OF THIS
DRAWING IS STRICTLY PROHIBITED

DAR	REV	DESCRIPTION	APPVD	DATE
1306	A	INITIAL RELEASE	TJD	6-07



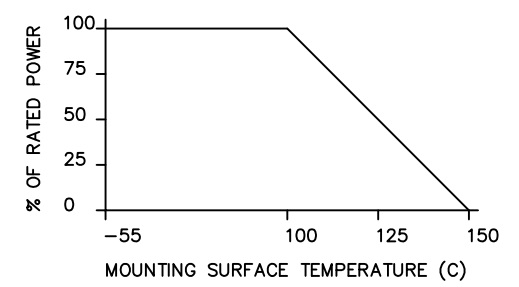
NOTES

- LEAD MATERIAL:
99.99% PURE SILVER,
.250 WIDE x .005 THICK
- LEAD LENGTH: .150 MIN.
- SUBSTRATE MATERIAL: BeO
COVER MATERIAL: Al₂O₃
- DIMENSIONS: INCHES, [mm]

ELECTRICAL SPECIFICATIONS

INPUT POWER: 800 WATT
 FREQUENCY: DC - 1.0 GHZ.
 CAPACITANCE: 18 pF

POWER DERATING CURVE



PART NO.	VALUE	TOLERANCE
IPP-RB216-25	25 OHMS	+/- 5%
IPP-RB216-50	50 OHMS	+/- 5%
IPP-RB216-100	100 OHMS	+/- 5%

MATERIAL [3]	DWN DG	DATE 6/07	
	ENG TJD	DATE 6/07	
FINISH	MANUF TP	DATE 6/07	
TOLERANCE IN [MM] .XX ±.02 [.50] .XXX ±.010 [.254]	CAGE CODE: 437R2		P/N IPP-RB216-XXX
	SHEET OF 1 1	SCALE 2:1	