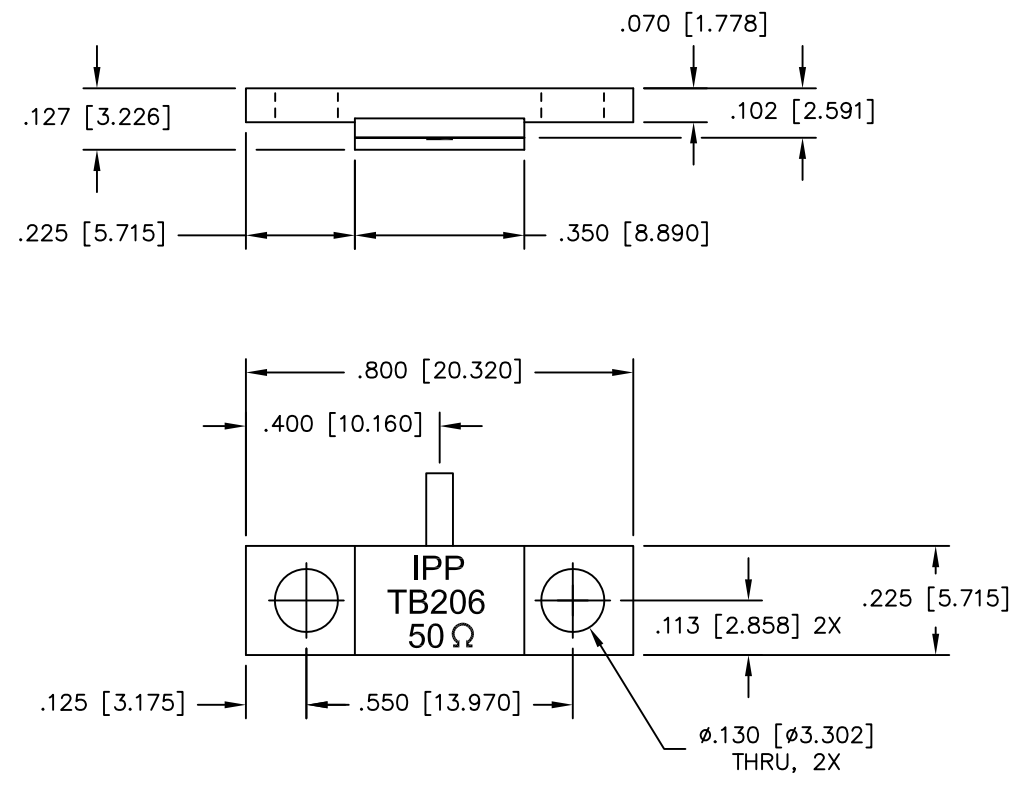


UNAUTHORIZED USE OF THIS  
DRAWING IS STRICTLY PROHIBITED

DAR	REV	DESCRIPTION	APPVD	DATE
1263	A	INITIAL RELEASE	TJD	2-07
1317	B	CHANGE TEMPERATURE TO 150 DEGREES	TJD	7-07
1955	C	SEE DAR	DG	7-09
2306	D	SEE DAR	TJD	2-10



(REF: 50 OHM VALUE SHOWN)

PART NO.	VALUE	TOLERANCE
IPP-TB206-50	50 OHMS	+/- 5%
IPP-TB206-100	100 OHMS	+/- 5%

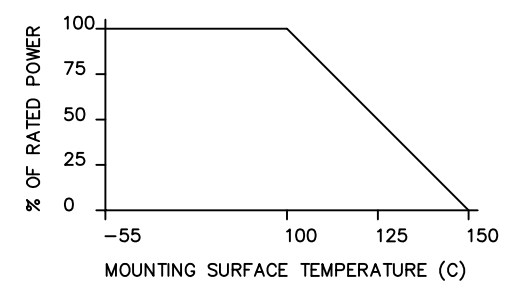
**NOTES:**

- LEAD MATERIAL: 99.99% PURE SILVER, .050 [1.270] WIDE x .005 [.127] THICK x .150 [3.810] MIN. LONG.
- SUBSTRATE MATERIAL: BeO  
COVER MATERIAL: Al<sub>2</sub>O<sub>3</sub>
- FLANGE MATERIAL: COPPER  
PLATING: NICKEL
- LEAD(S) WELDED TO SUBSTRATE.

**ELECTRICAL SPECIFICATIONS**

INPUT POWER: 200 WATT  
 FREQ: DC - 2.0 GHZ.  
 VSWR: 1.17:1 DC - 1.0 GHZ.  
 VSWR: 1.30:1 @ 2.0 GHz.

**POWER DERATING CURVE**



MATERIAL [2] [3]	DWN DG	DATE 2-07	<b>Innovative Power Products</b>
	ENG TJD	DATE 2-07	
FINISH [3]	MANUF TP	DATE 2-07	TITLE TERMINATION, 200 WATT, FLANGE
	CAGE CODE: 437R2		P/N IPP-TB206-XXX
TOLERANCE IN [MM]	SHEET OF 1 1	SCALE 4:1	