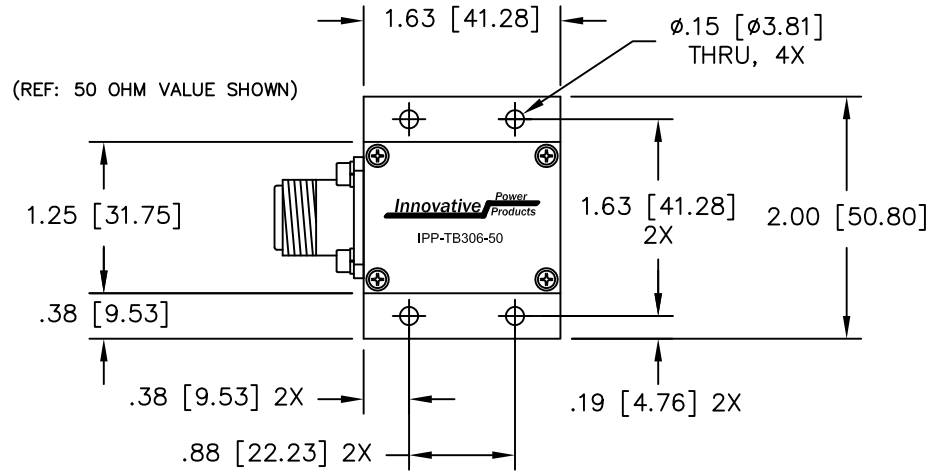
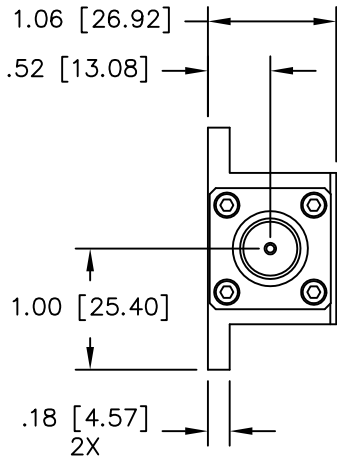


UNAUTHORIZED USE OF THIS
DRAWING IS STRICTLY PROHIBITED

DAR	REV	DESCRIPTION	APPVD	DATE
2389	1	PRE-RELEASE	DG	5-10

PRELIMINARY
DIMENSIONS AND SPECIFICATIONS
ARE SUBJECT TO CHANGE UNTIL
INITIAL RELEASE OF DRAWING.



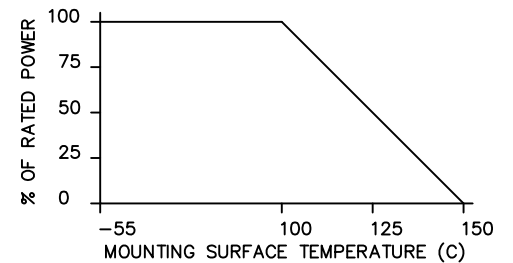
NOTES

1. CONNECTOR TYPE "N" FEMALE

ELECTRICAL SPECIFICATIONS

INPUT POWER: 500 WATT
FREQ: DC - 1.2GHz.
VSWR: <1.25:1
TEMPERATURE: -55°C TO 80°C

POWER DERATING CURVE



PART NO.	VALUE	TOLERANCE
IPP-TB306-50	50 OHMS	+/- 5%
IPP-TB306-100	100 OHMS	+/- 5%

MATERIAL AL. ALLOY 6061-T651	DWN S.Cornell	DATE 3-24-10	Innovative Power Products	
	ENG DG	DATE 5-10		
FINISH CHEM FILM CLEAR PER MIL-DTL-5541, TYPE 2, REV F, CLASS 3, ROHS COMPLIANT	MANUF	DATE	TITLE TERMINATION, 500 WATT, CONNECTORIZED	
	CAGE CODE: 437R2		SCALE	SIZE B
TOLERANCE .XX ±.02 .XXX ±.010 ANG. ±1/2°	SHEET OF 1 1	SCALE 1:1	REV. 1	